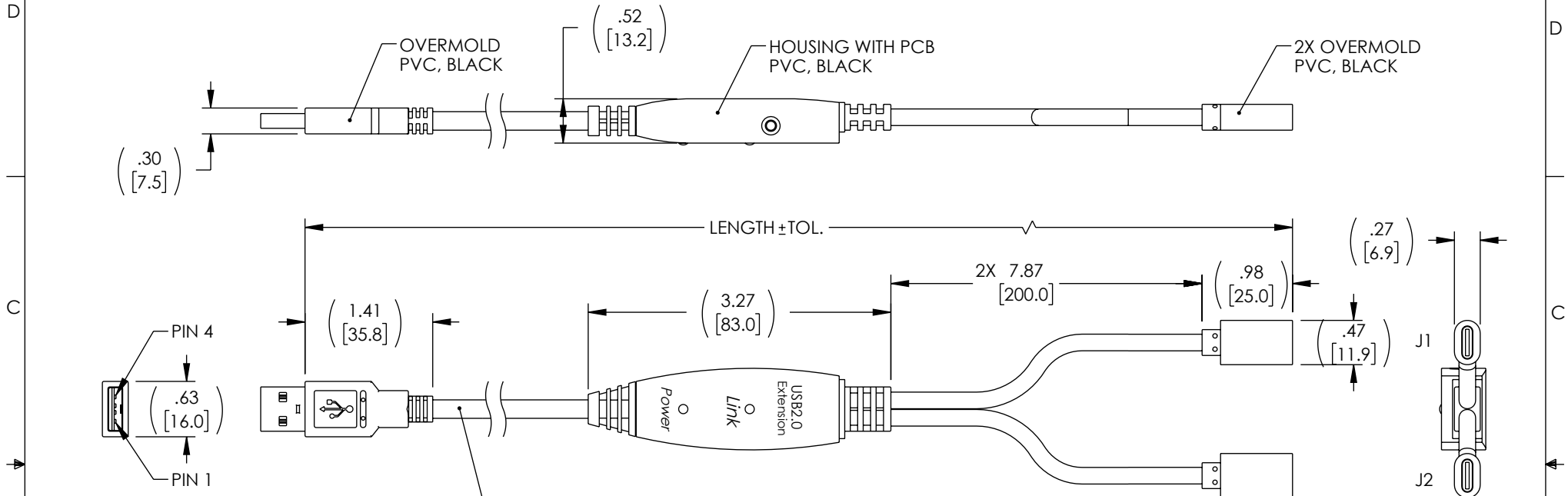


THE INFORMATION CONTAINED IN THIS DRAWING IS THE SOLE PROPERTY OF L-COM, INC. ANY REPRODUCTION IN PART OR WHOLE WITHOUT THE WRITTEN PERMISSION OF L-COM, INC. IS PROHIBITED.

REVISION					
ZONE	REV	DESCRIPTION	DATE	CHANGED BY	APPROVED
	A	INITIAL RELEASE	05/15/2023	DFRISIELLO	GUTTADAURO

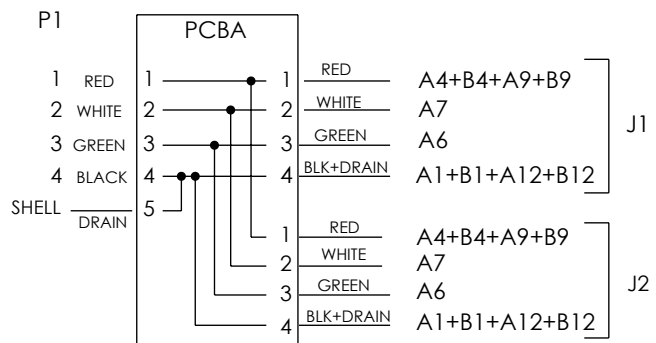


P1
USB 2.0
SERIES A MALE
CONNECTOR

USB 2.0 AWM 2725
1PR 28AWG STRANDED BARE COPPER
2 COND. 24AWG STRANDED BARE COPPER
WITH ALUM/POLY SHIELD AND DRAIN WIRE
JACKET: PVC, BLACK

2X USB 2.0
SERIES C FEMALE
CONNECTOR

WIRING MAP



ITEM NUMBER	LENGTH, FT [mm]	TOLERANCE, IN. [mm]
CAU2ACEXT-MF-2C	16.41 [5000.0]	±1.97 [50.0]

NOTES:
PASS: 480Mbps 5V/2A TEST

- CABLE ASSEMBLY SHALL BE TESTED FOR CONTINUITY.
- CABLE ASSEMBLY SHALL BE INDIVIDUALLY PACKAGED.

UNLESS OTHERWISE SPECIFIED, DIMENSIONS ARE IN INCHES [mm] OVERALL CABLE LENGTH TOLERANCE: ≤12 [305] = +1 [25] / -0 >12 [305] ≤60 [1524] = +2 [51] / -0 >60 [1524] ≤120 [3048] = +4 [102] / -0 >120 [3048] ≤300 [7620] = +6 [152] / -0 >300 [7620] = +5% / -0 ALL OTHER DIMENSIONAL TOLERANCES: .X = ±.2 [5] FRACTIONS ± 1/32 .XX = ±.02 [5] ANGLES ±1° .XXX = ±.005 [13]	APPROVALS DFRISIELLO CHECKED BY RCARLESCO APPROVED BY GUTTADAURO	DATE 05/15/2023 05/15/2023 05/15/2023		50 High Street, West Mill, North Andover, MA 01845 USA. Phone: 1.800.341.5266 1.978.682.6936
	PRODUCT DESCRIPTION USB 2.0 EXTENSION, AM/CF, TWO CONNECTORS		CATEGORY USB 2.0	ITEM NO. CAU2ACEXT-MF-2C
	THIRD-ANGLE PROJECTION 	CONFIGURATION DETAILS OF UNDIMENSIONED FEATURES MAY VARY COLOR VARIATIONS MAY OCCUR	SIZE A	CAGE CODE 43321

SCALE: NONE | CAD FILE: CAU2ACEXT-MF-2C.SLDDRW | SHEET 1 OF 1