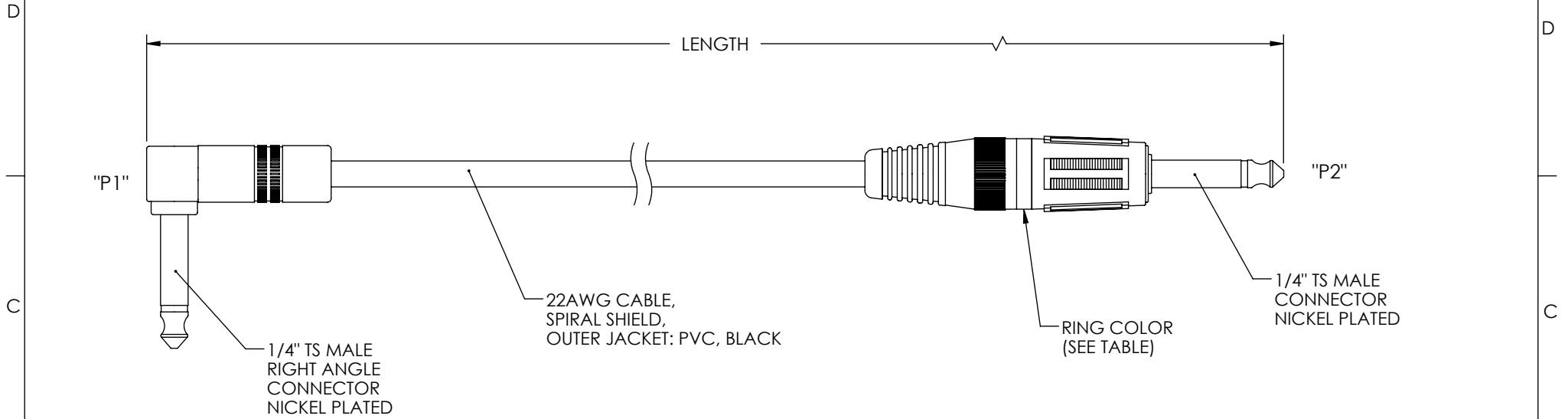


THE INFORMATION CONTAINED IN THIS DRAWING IS THE SOLE PROPERTY OF L-COM, INC. ANY REPRODUCTION IN PART OR WHOLE WITHOUT THE WRITTEN PERMISSION OF L-COM, INC. IS PROHIBITED.

REVISIONS			
REV	DESCRIPTION	DATE	APPROVED
A	CN RELEASE	11/5/10	D.GRIFFIN



WIRE MAP	
"P1"	"P2"
TIP	TIP
SLEEVE	SLEEVE

PART NUMBER	LENGTH		RING COLOR
	FEET	METERS	
CA14214RA-1	1.0	.30	BLACK
CA14214RA-3	3.0	.91	BLACK
CA14214RA-6	6.0	1.83	BLACK
CA14214RA-10	10.0	3.05	BLACK
CA14214RA-15	15.0	4.57	BLACK
CA14214RA-20	20.0	6.10	BLACK
CA14214RA-25	25.0	7.62	BLACK

RoHS Compliant ✓

NOTES:

- CABLE SHALL BE TESTED FOR CONTINUITY.
- CABLE SHALL BE PACKAGED IN ACCORDANCE WITH L-COM SPEC. PS-0031.

UNLESS OTHERWISE SPECIFIED, DIMENSIONS ARE IN INCHES [mm] OVERALL CABLE LENGTH TOLERANCE: ≤ 12 [305] = +1 [25] / -0 > 12 [305] ≤ 60 [1524] = +2 [51] / -0 > 60 [1524] ≤ 120 [3048] = +4 [102] / -0 > 120 [3048] ≤ 300 [7620] = +6 [152] / -0 > 300 [7620] = +3% / -0% ALL OTHER DIMENSIONAL TOLERANCES: .X = ±.2 .XX = ±.02 .XXX = ±.005	APPROVALS DRAWN BY D. CASTRO CHECKED BY D. PARHAM APPROVED BY P. MCNEIL	DATE 11/30/09 12/1/09 12/2/09	45 BEECHWOOD DRIVE NORTH ANDOVER, MA 01845
	CONFIGURATION DETAILS OF UNDIMENSIONED FEATURES MAY VARY	CATEGORY AUDIO	
PROJECTION 	COLOR VARIATIONS MAY OCCUR	SIZE A	FSCM NO. 43321 DWG. NO. CA14214RA REV. A
SCALE: NONE		CAD FILE: CA14214RA.SLDDRW	SHEET 1 OF 1