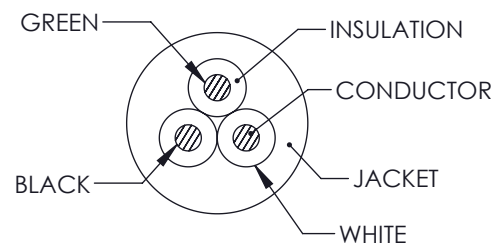
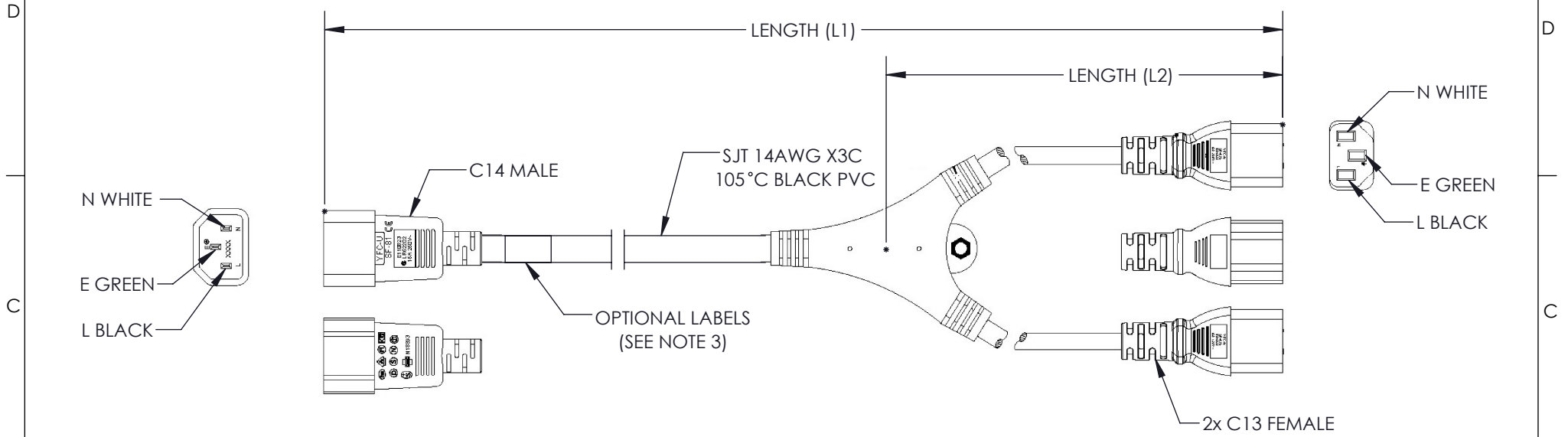


THE INFORMATION CONTAINED IN THIS DRAWING IS THE SOLE PROPERTY OF L-COM, INC. ANY REPRODUCTION IN PART OR WHOLE WITHOUT THE WRITTEN PERMISSION OF L-COM, INC. IS PROHIBITED.


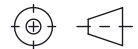
REVISIONS			
REV	DESCRIPTION	DATE	APPROVED
A	INITIAL RELEASE	10/19/2021	GUITADAURO



ITEM NUMBER	LENGTH (L1) INCHES [MM]	LENGTH (L2) INCHES [MM]
C14-C132-15-02F	24.0 ± 0.4 [610 ± 10.0]	9.0 ± 0.4 [228 ± 10.0]
C14-C132-15-03F	36.0 ± 0.4 [915 ± 10.0]	9.0 ± 0.4 [228 ± 10.0]
C14-C132-15-04F	48.0 ± 0.8 [1220 ± 20.0]	9.0 ± 0.4 [228 ± 10.0]
C14-C132-15-06F	72.0 ± 0.8 [1830 ± 20.0]	24.0 ± 0.4 [609 ± 10.0]

**NOTES:**

- VOLTAGE RATING:**  
DIELECTRIC VOLTAGE WITHSTAND TEST: 1500V / 1 Sec  
CONDUCTOR RESISTANCE ≤ 8.88Ω/1000M  
VOLTAGE RATING AC 300V
- CABLE MARKING :**  
(UL) E135710-F5 SJT 3×14AWG 105°C 300V VW-1  
c(UL)SJT 3×2.08 mm<sup>2</sup> (14AWG) 105°C 300V FT2
- OPTIONAL LABELS:**  
OPTIONAL LABEL(S) MAY INCLUDE  
UL, CURRENT AND/OR WARNING
- CABLE ASSEMBLY SHALL BE INDIVIDUALLY PACKAGED IN ACCORDANCE WITH SPEC. PS-0031.**
- ALL DIMENSIONS FOR REFERENCE ONLY.**

UNLESS OTHERWISE SPECIFIED, DIMENSIONS ARE IN INCHES [mm]	APPROVALS	DATE	 50 High Street, West Mill, North Andover, MA 01845 USA. Phone: 1.800.341.5266 1.978.682.6936
	OVERALL CABLE LENGTH TOLERANCE: ≤12 [305] = +1 [25] / -0 >12 [305] ≤60 [1524] = +2 [51] / -0 >60 [1524] ≤120 [3048] = +4 [102] / -0 >120 [3048] ≤300 [7620] = +6 [152] / -0 >300 [7620] = +5% / -0	DRAWN BY MVEERAPPAN	
ALL OTHER DIMENSIONAL TOLERANCES: .X = ± .2 [5]   FRACTIONS ± 1/32 .XX = ± .02 [.5]   ANGLES ± 1° .XXX = ± .005 [.13]	CHECKED BY DFRISIELLO	10/19/2021	CATEGORY <b>POWER PRODUCTS</b>
	APPROVED BY GUITADAURO	10/19/2021	
THIRD-ANGLE PROJECTION 	CONFIGURATION DETAILS OF UNDIMENSIONED FEATURES MAY VARY	COLOR VARIATIONS MAY OCCUR	SIZE <b>A</b>
CAGE CODE <b>43321</b>		ITEM NO. <b>C14-C132-15</b>	REV. <b>A</b>
SCALE: NONE		CAD FILE: C14-C132-15.SLDDRW	SHEET 1 OF 1