

6

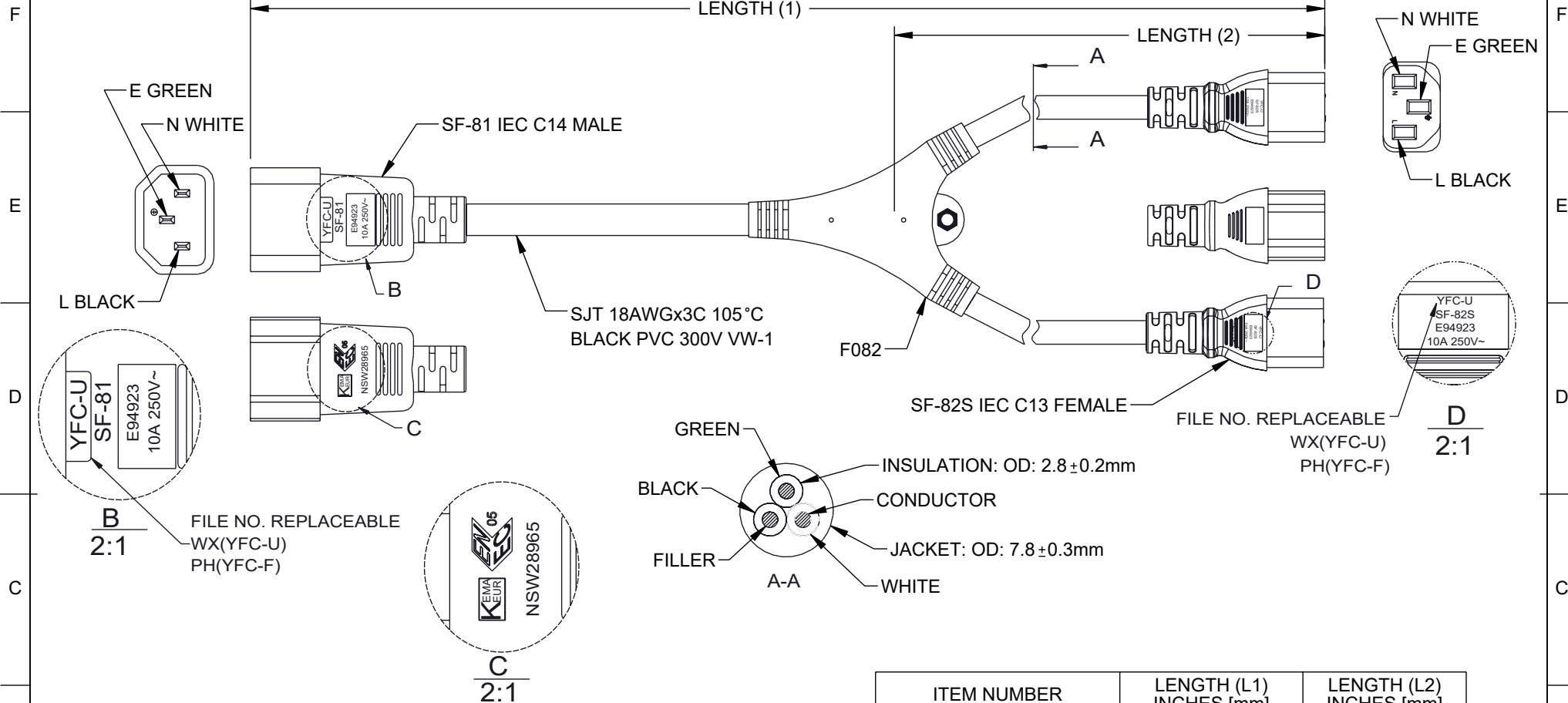
5

4

3

REVISION

ZONE	REV	DESCRIPTION	DATE	CHANGED BY	APPROVED
	A	INITIAL RELEASE	04/10/2025	DMAY	DREBECK



NOTES:

- VOLTAGE RATING:
DIELECTRIC VOLTAGE WITHSTAND TEST: 1500V / 1 SEC
CONDUCTOR RESISTANCE $\leq 22.84\Omega/1000m$
VOLTAGE RATING AC 300V
- CABLE MARKING:
WX(NO.441): (UL) E135710-F5 SJT 3x18AWG 105°C 300V VW-1
c(UL)SJT 3x0.824mm² (18AWG) 105°C 300V FT2
PH(NO.854): (UL) E135710-F7 SJT 3x18AWG 105°C 300V VW-1
c(UL)SJT 3x0.824mm² (18AWG) 105°C 300V FT2
- CABLE ASSEMBLY SHALL BE INDIVIDUALLY PACKAGED.

THE INFORMATION CONTAINED IN THIS DRAWING IS THE SOLE PROPERTY OF INFINITE ELECTRONICS, INC. ANY REPRODUCTION IN PART OR WHOLE WITHOUT THE WRITTEN PERMISSION OF INFINITE ELECTRONICS, INC. IS PROHIBITED. THESE COMMODITIES, TECHNOLOGY OR SOFTWARE WERE EXPORTED FROM THE UNITED STATES IN ACCORDANCE WITH THE EXPORT ADMINISTRATION REGULATIONS. DIVERSION CONTRARY TO U.S. LAW PROHIBITED.

ITEM NUMBER	LENGTH (L1) INCHES [mm]	LENGTH (L2) INCHES [mm]
C14-C132-10-10F	120 ± 1.2 [3048 ± 30]	19.7 ± .6 [500 ± 15]
C14-C132-10-15F	180 ± 1.2 [4572 ± 30]	16.7 ± .6 [500 ± 15]

UNLESS OTHERWISE SPECIFIED
LEADING DIMENSIONS ARE INCHES
DIMENSIONS IN [] ARE MILLIMETERS

TOLERANCES:
X = ± 2 [5] FRACTIONS
XX = ± 0.02 [0.5] ± 1/32
XXX = ± 0.005 [0.13] ANGLES ± 1°

CABLE LENGTH TOLERANCES:
≤ 12 [305] = +1 [25] / -0
> 12 [305] ≤ 60 [1524] = +2 [51] / -0
> 60 [1524] ≤ 120 [3048] = +4 [102] / -0
> 120 [3048] ≤ 300 [7620] = +6 [152] / -0
> 300 [7620] = +5% / -0

ALL DIMENSIONS ARE FOR REFERENCE ONLY
AND SUBJECT TO CHANGE WITHOUT NOTICE
UN-DIMENSIONED NON-CRITICAL FEATURES
MAY VARY IN SIZE AND LOCATION
COLORS MAY VARY

L-com
an INFINIT[®] brand

Website: www.L-com.com
Phone: 1.800.341.5266 | 1.978.682.6936



INTERPRET ALL DIMENSIONS AND
TOLERANCES PER ASME Y14.5

SCALE	SHEET
NONE	1 OF 2

DESCRIPTION
C14 TO C13 SPLITTER POWER CORD-10 AMP

SIZE	CAGE CODE	DRAWN BY	ITEM NO.	REV
A	43321	DMAY	C14-C132-10Y	A

6

5

4

3

2

1

6

5

4

3

2

1

F

F

E

E

D

D

C

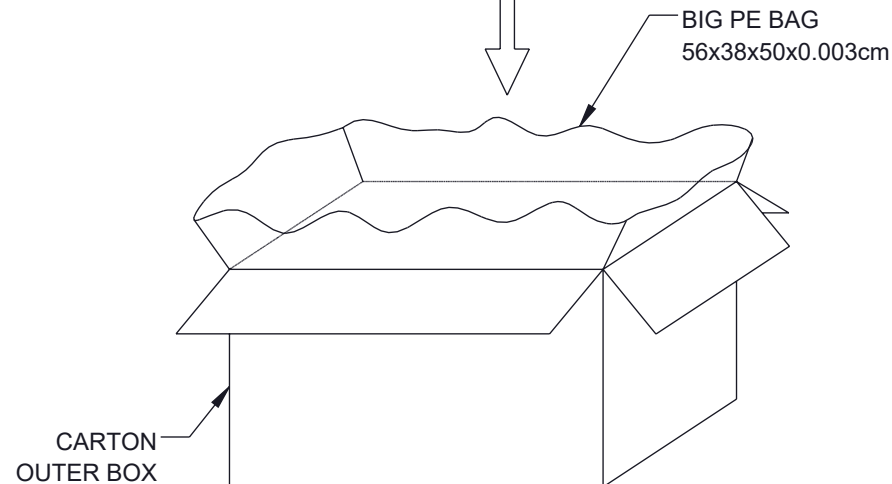
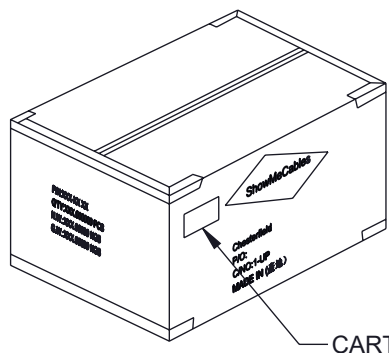
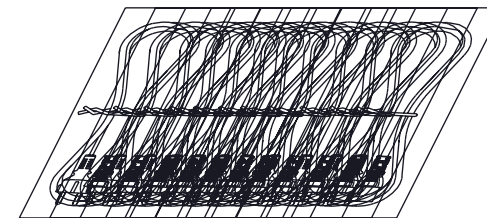
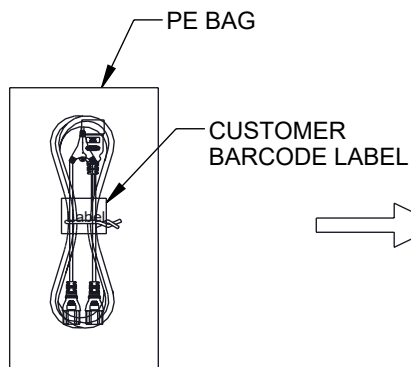
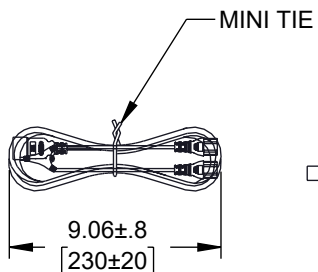
C

B

B

A

A



CUSTOMER ITEM NO.	LENGTH(mm)	QTY	CARTON SIZE
C14-C132-10-10F	3048 ±30	60	50x32x28cm
C14-C132-10-15F	4572 ±30	50	50x32x28cm

L-com
an INFINIT@ brand

Website: www.L-com.com
Phone: 1.800.341.5266 | 1.978.682.6936

INTERPRET ALL DIMENSIONS AND TOLERANCES PER ASME Y14.5

SCALE	SHEET
NONE	2 OF 2

DESCRIPTION

C14 TO C13 SPLITTER POWER CORD-10 AMP

SIZE	CAGE CODE	DRAWN BY	ITEM NO.	REV
A	43321	DMAY	C14-C132-10Y	A

THE INFORMATION CONTAINED IN THIS DRAWING IS THE SOLE PROPERTY OF INFINITE ELECTRONICS, INC. ANY REPRODUCTION IN PART OR WHOLE WITHOUT THE WRITTEN PERMISSION OF INFINITE ELECTRONICS, INC. IS PROHIBITED. THESE COMMODITIES, TECHNOLOGY OR SOFTWARE WERE EXPORTED FROM THE UNITED STATES IN ACCORDANCE WITH THE EXPORT ADMINISTRATION REGULATIONS. DIVERSION CONTRARY TO U.S. LAW PROHIBITED.

ALL DIMENSIONS ARE FOR REFERENCE ONLY AND SUBJECT TO CHANGE WITHOUT NOTICE. UN-DIMENSIONED/NON-CRITICAL FEATURES MAY VARY IN SIZE AND LOCATION. COLORS MAY VARY.

6

5

4

3

2

1