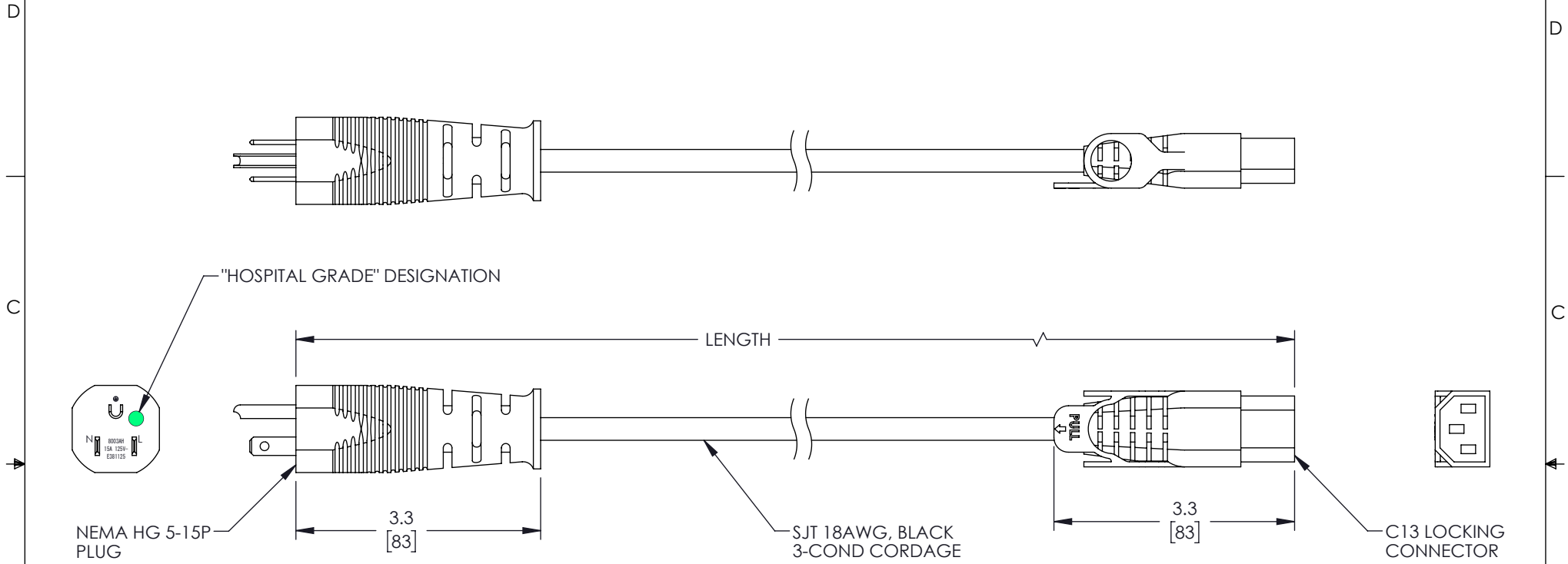



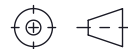
THE INFORMATION CONTAINED IN THIS DRAWING IS THE SOLE PROPERTY OF L-COM, INC. ANY REPRODUCTION IN PART OR WHOLE WITHOUT THE WRITTEN PERMISSION OF L-COM, INC. IS PROHIBITED.

REVISIONS			
REV	DESCRIPTION	DATE	APPROVED
A	INITIAL RELEASE	07/20/2022	GUTTADAURO



NOTES:

1. PLUG: NEMA HG 5-15P, BLACK
2. CONNECTOR: EN60320 C13 LOCK PLUS, BLACK
3. CORDAGE: SJT3X18AWG, BLACK
COLOR CODING OF CONDUCTORS: BLACK, WHITE, GREEN
APPROVALS: UL/CSA
RATING: 10A/125V
4. OPTIONAL LABELS MAY INCLUDE UL, CURRENT AND/OR WARNING.
5. CABLE ASSEMBLIES SHALL BE INDIVIDUALLY PACKAGED.

UNLESS OTHERWISE SPECIFIED, DIMENSIONS ARE IN INCHES [mm] OVERALL CABLE LENGTH TOLERANCE: ≤12 [305] = +1 [25] / -0 >12 [305] ≤60 [1524] = +2 [51] / -0 >60 [1524] ≤120 [3048] = +4 [102] / -0 >120 [3048] ≤300 [7620] = +6 [152] / -0 >300 [7620] = +5% / -0 ALL OTHER DIMENSIONAL TOLERANCES: .X = ±.2 [5] FRACTIONS ± 1/32 .XX = ±.02 [.5] ANGLES ± 1° .XXX = ±.005 [.13]	APPROVALS DRAWN BY AKRESOWSK CHECKED BY DGUST APPROVED BY GUTTADAURO	DATE 07/20/2022 07/20/2022 07/20/2022	 50 High Street, West Mill, North Andover, MA 01845 USA. Phone: 1.800.341.5266 1.978.682.6936		
	THIRD-ANGLE PROJECTION 	CONFIGURATION DETAILS OF UNDIMENSIONED FEATURES MAY VARY COLOR VARIATIONS MAY OCCUR		CATEGORY POWER PRODUCTS	PRODUCT DESCRIPTION IEC LOCK C13+ TO HG NEMA 5-15P, 10A, 125V
		SIZE A	CAGE CODE 43321	ITEM NO. C13LPHGN515-10	REV. A
		SCALE: NONE	CAD FILE: C13LPHGN515-10.SLDDRW	SHEET 1 OF 1	