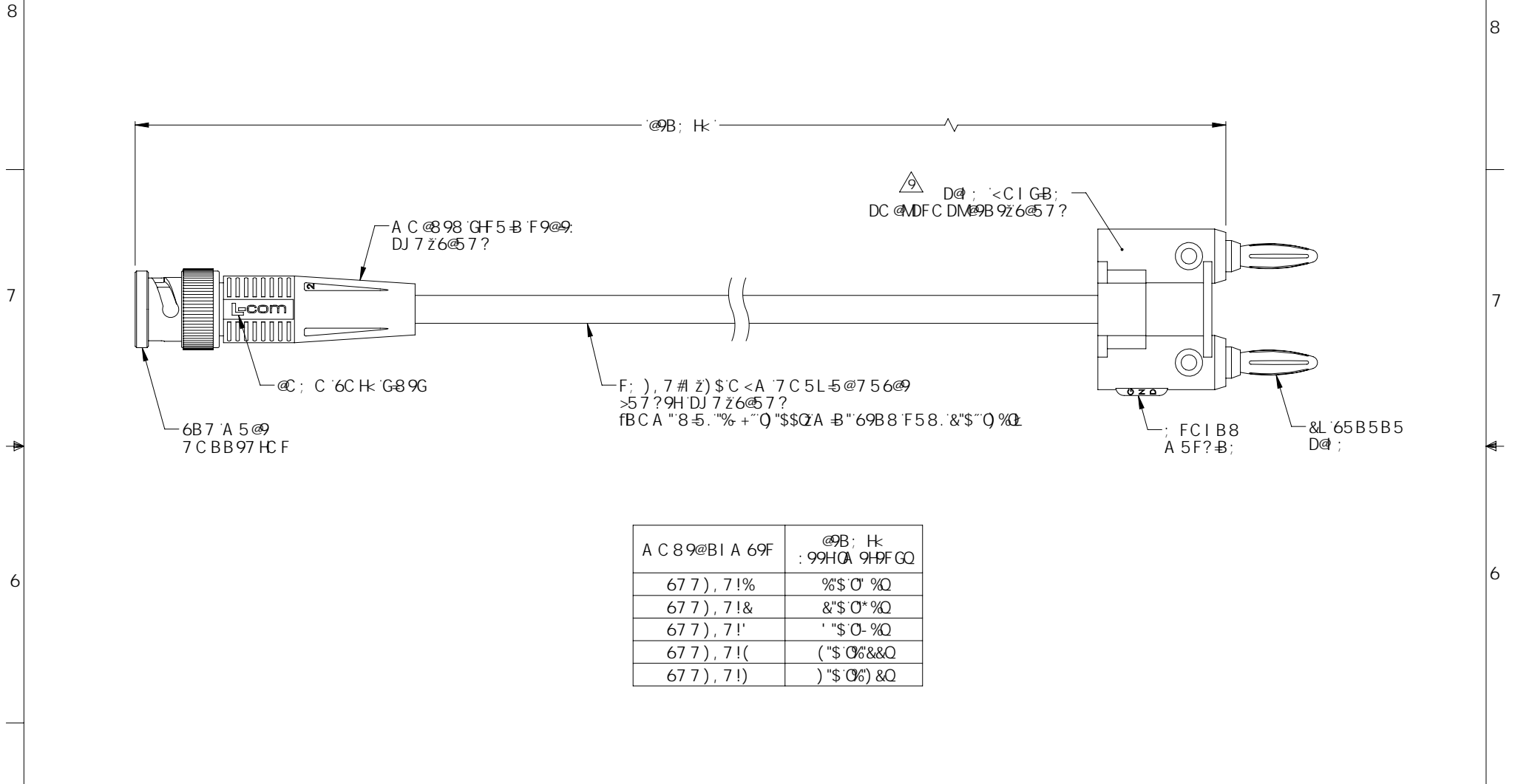



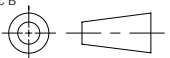
H:9`B: CFA 5HC B`7 C B H 5-B 98`B`H:G`8F5K B: `G`H:9`GC @  
 DFC D9F HMC: @7 CA 2-B7`5 B M F 9DFC 8I 7 HC B`B D5FHC F K <C @  
 K H:C I H H:9 K F H B B D9FA GGC B C: @7 CA 2-B7`GDFC <6+98`

F9J 6C BG			
F9J	89G7 F-DHC B	85H9	5DDFCJ 98
6	DFC B I 7 H J 5 @B 5 H C B I D 8 5 H G I 9 7 B %S(L	%S, #S&	D@97 @5 F
7	97 B`"+. I D 8 5 H 9 8 K: `: CFA 5 H	\$&#S) #S,	8: F=: B
8	97 B -(L I D 8 6 7 6 C H 8 F K: CFA 5 H 6 5 B 5 5 D@: <C I G B: K 5 G D C @M H: M 9 8 9	\$` #S&#(	8 8 9 G: 5 F 8 -B
9	97 B %S` +7 <5 B: 9 A 5 H F 5 @: FCA: 5 6 G H C DC @MDFC D M 9 8 9	\$, #% #%	G9@G



BCHHG

%`7 5 6@`5 GG9A 6@MG<5 @69`HGH8: C F`7 C B H B I H M  
 &`7 5 6@`5 GG9A 6@MG<5 @69`B 8 J B I 5 @MD5 7 ? 5; 98`B  
 ""5 7 7 C F 8 5 B 7 9 K Hk @7 CA`GD97 ÷ 7 5 H C B`DG \$ \$` %`

I B @GG C H: 9 F K 6 9 GD97 # 9 8 z 8 A 9 B G C B G 5 F 9 B`B 7 <9 G Q a Q C J 9 F 5 @7 5 6 @9 @9: H: H C @F 5 B 7 9. @& O S) O I 2 % Q) O # I S 2 % O S) O # S O @ ( O I 2 & O % O # I S 2 * S O @ ( O # S O S ( O I 2 ( O # S O # I S 2 % S O S ( O # S S O # S O I 2 * O @ & O # I S 2` S S O * & S O I 2) I # I S I	5DDFCJ 5@G	85H9	 an INFINITI brand	)\$`< ÷ < GH99H BC FH: 5 B 8 C J 9 F 2 A 5 \$% ( )	
5 @C H: 9 F`8 A 9 B G C B 5 @H C @F 5 B 7 9 G L L 1`-`& O Q L L 1`-`S & O Q L L L 1`-`S S) O % Q	7 C B: ÷ I F 5 H C B 8 9 5 @G C: I B 8 A 9 B G C B 9 8: 9 5 H F 9 G A 5 M J 5 F M	75H9, CFM		7C5L-5@	
DFC >97 HC B 	7C@CFJ 5F-5HC BG A 5 M C 7 7 F F	G9P <b>5</b>	75: 97 C 8 9 ('`&%	BK: "BC" 677), 7	F9J` <b>9</b>
		G7 5 @9, BC B 9	G< 99H % C: %		

@M/a TC 8 L 8 5 %