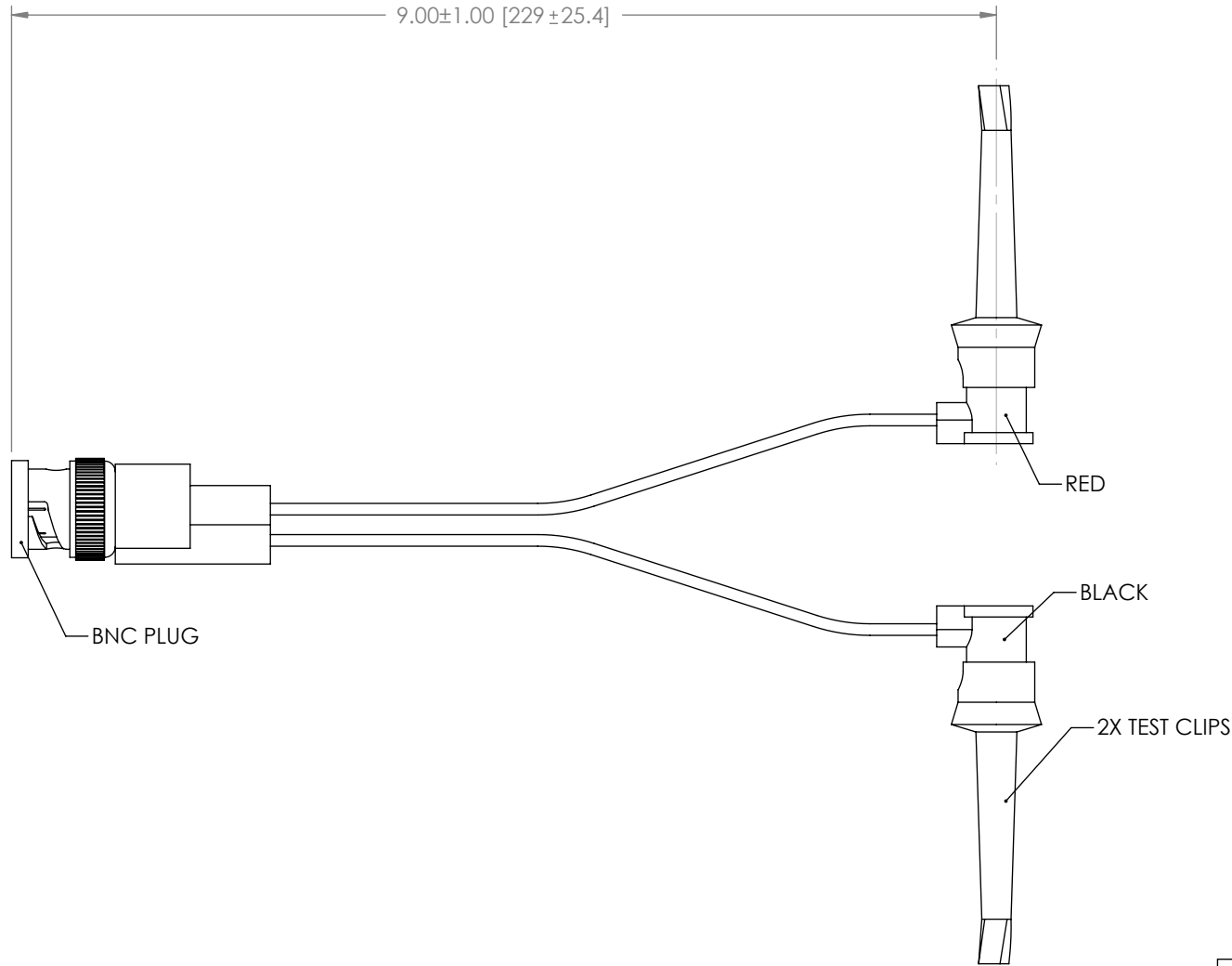


THE INFORMATION CONTAINED IN THIS DRAWING IS THE SOLE PROPERTY OF L-COM, INC. ANY REPRODUCTION IN PART OR WHOLE WITHOUT THE WRITTEN PERMISSION OF L-COM, INC. IS PROHIBITED.

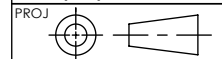
REVISIONS			
REV	DESCRIPTION	DATE	CHANGED BY
A	INITIAL RELEASE	05/28/03	MCCORMICK
B	ECN 3177: UPDATE DWG FORMAT	1/29/08	D.GRIFFIN



NOTES:

CABLE ASSEMBLY SHALL BE TESTED FOR CONTINUITY
 CABLE ASSEMBLY SHALL BE INDIVIDUALLY PACKAGED IN POLYBAG

UNLESS OTHERWISE SPECIFIED,
 DIMENSIONS ARE IN INCHES [mm]
 TOLERANCES TO BE:
 .X ±.1 [2.5] ANGLES ±2°
 .XX ±.01 [.25]
 .XXX ±.005 [.13]
 OVERALL CABLE LENGTH TOL:
 ≤ 60 [1524] +3 [76.2] / -0
 > 60 [1524] +5% / -0%



APPROVALS	DATE
DRAWN BY C.MCCORMICK	05/28/2003
CHECKED BY D.PARHAM	05/28/2003
APPROVED BY R.CARRICK	05/28/2003

CONFIGURATION DETAILS OF
 UNDIMENSIONED FEATURES
 MAY VARY

	45 BEECHWOOD DRIVE NORTH ANDOVER, MA 01845		
	CATEGORY COAXIAL		
PRODUCT DESCRIPTION TEST CABLE;BNC PLUG/DUAL TEST CLIPS			
SIZE A	FSCM NO. 43321	DWG. NO. BC40	REV. B
SCALE: NONE CAD FILE: BC40.SLDDRW			SHEET 1 OF 1