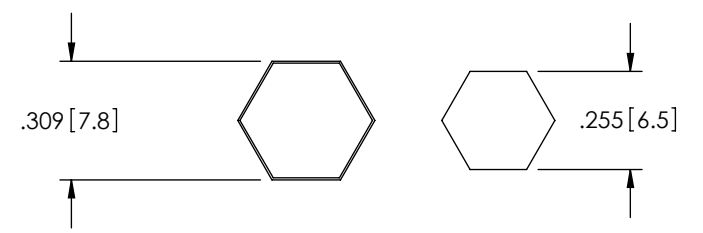
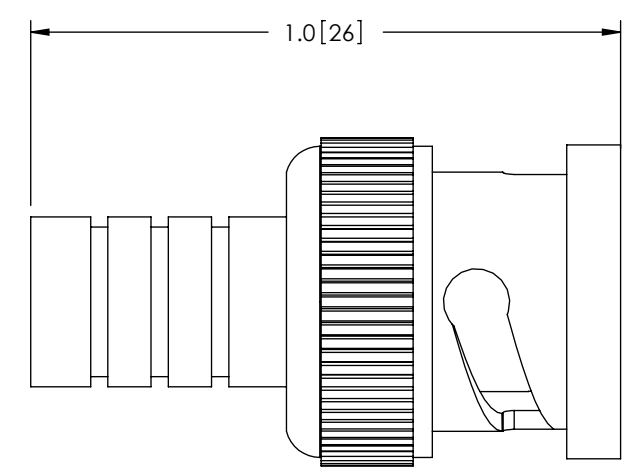
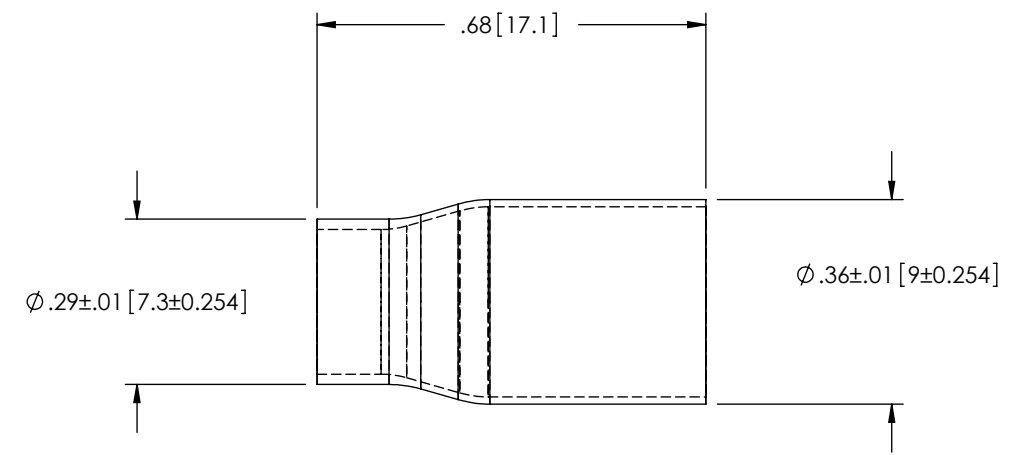
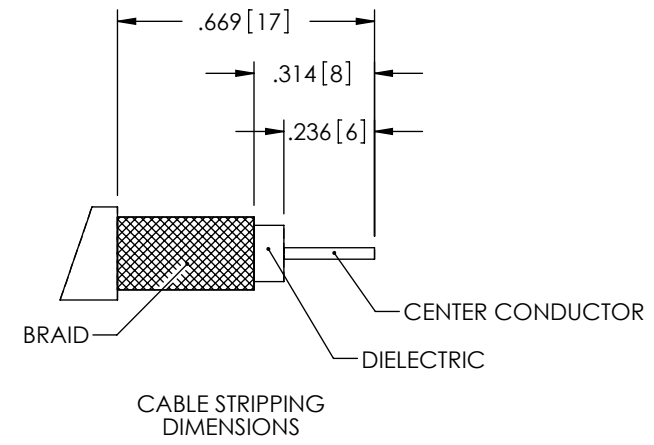


THE INFORMATION CONTAINED IN THIS DRAWING IS THE SOLE PROPERTY OF L-COM, INC. ANY REPRODUCTIONS IN PART OR WHOLE WITHOUT THE WRITTEN PERMISSION OF L-COM, INC. IS PROHIBITED.

REVISIONS			
REV	DESCRIPTION	DATE	CHANGED BY
E	ECN 3139: UPDATE DWG FORMAT	1/8/08	D.GRIFFIN
E	ECN 99999: REMOVED CONTINUITY NOTE	12/5/08	D.FRISIELLO



RECOMMENDED FERRULE CRIMP SIZES



CABLE STRIPPING DIMENSIONS

NOTES:

MATERIAL:
 BODY: BRASS
 FERRULE: BRASS OR COPPER ALLOY
 PIN: BRASS
 INSULATOR: ACETAL

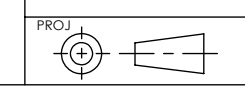
FINISH:
 BODY: NICKEL PLATE
 FERRULE: NICKEL PLATE
 PIN: GOLD PLATE

ELECTRICAL:
 IMPEDANCE: 75 OHM

PACKAGING:
 INDIVIDUALLY PACKAGE EACH ASSEMBLY UTILIZING APPROPRIATE SIZED BAG

APPLICATION:
 RG59 COAXIAL CABLE.

UNLESS OTHERWISE SPECIFIED, DIMENSIONS ARE IN INCHES [mm]
 TOLERANCES TO BE:
 .X ±.1 [2.5] ANGLES ±2°
 .XX ±.01 [.25]
 .XXX ±.005 [0.13]
 OVERALL CABLE LENGTH TOL:
 ≤ 60 [1524] +3 [76.2] / -0
 > 60 [1524] +5% / -0%



APPROVALS	DATE
DRAWN BY C.MCCORMICK	11/05/2001
CHECKED BY D.PARHAM	11/05/2001
APPROVED BY R.CARRICK	11/05/2001

L-com 45 BEECHWOOD DRIVE
 CONNECTIVITY PRODUCTS NORTH ANDOVER, MA 01845

CATEGORY
 PRODUCT DESCRIPTION
BNC CONNECTOR, 75 OHM

SIZE	FSCM NO.	DWG. NO.	REV.
B	43321	BAC030	E