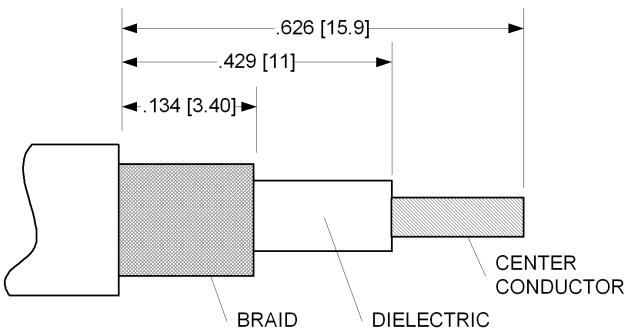
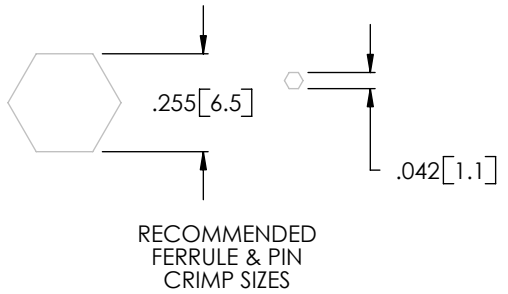
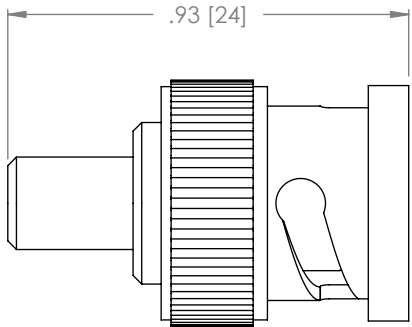
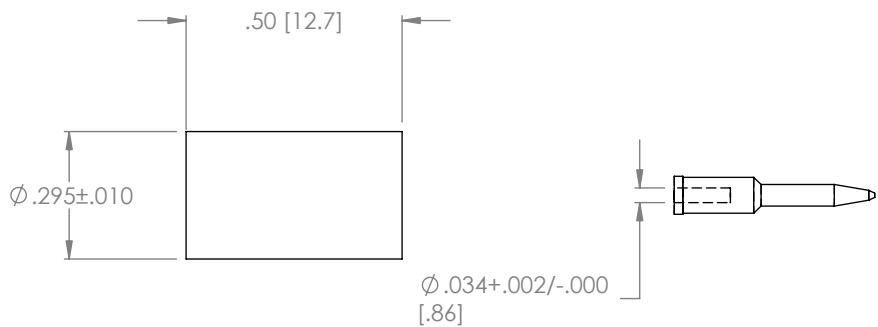


THE INFORMATION CONTAINED IN THIS DRAWING IS THE SOLE PROPERTY OF L-COM, INC. ANY REPRODUCTION IN PART OR WHOLE WITHOUT THE WRITTEN PERMISSION OF L-COM, INC. IS PROHIBITED.

REVISIONS			
REV	DESCRIPTION	DATE	CHANGED BY
A	RELEASED FOR PRODUCTION	03/20/03	MCCORMICK
B	ECN 3135: UPDATE DWG FORMAT	12/31/07	D.GRIFFIN



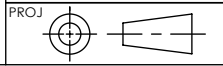
NOTES:

**MATERIAL:**  
 BODY: BRASS  
 DIELECTRIC: DELRIN  
 CENTER PIN: BRASS  
 FERRULE: BRASS  
 OUTER CONTACT: BRASS  
 BAYONET SLEEVE: BRASS

**FINISH:**  
 BODY: NICKEL PLATED  
 CENTER PIN: GOLD PLATED  
 FERRULE: NICKEL PLATED  
 OUTER CONTACT: GOLD FLASH PLATED  
 BAYONET SLEEVE: BLACK ELECTROLESS NICKEL PLATED

NOTES:  
 1. CHARACTERISTIC IMPEDANCE: 75 OHMS  
 2. RECOMMENDED APPLICATION: BELDEN 1506A; GEPCO VPM2000TK COAXIAL CABLE

UNLESS OTHERWISE SPECIFIED,  
 DIMENSIONS ARE IN INCHES [mm]  
 TOLERANCES TO BE:  
 .X ± .1 [2.5] ANGLES ± 2°  
 .XX ± .01 [0.25]  
 .XXX ± .005 [0.13]  
 OVERALL CABLE LENGTH TOL:  
 ≤ 60 [1524] +3 [76.2] / -0  
 > 60 [1524] +5% / -0%



APPROVALS	DATE
DRAWN BY MCCORMICK	03/20/2003
CHECKED BY D.PARHAM	03/20/2003
APPROVED BY R.CARRICK	03/20/2003

CONFIGURATION DETAILS OF  
 UNDIMENSIONED FEATURES  
 MAY VARY

**L-com** 45 BEECHWOOD DRIVE  
 CONNECTIVITY PRODUCTS NORTH ANDOVER, MA  
 01845

CATEGORY  
**COAXIAL**

PRODUCT DESCRIPTION  
**DIGITAL BNC PLUG CONNECTOR**

SIZE	FSCM NO.	DWG. NO.	REV.
<b>A</b>	<b>43321</b>	<b>BAC-UPL2000-D8B</b>	<b>B</b>

SCALE: NONE | CAD FILE: BAC-UPL2000-D8B.SLDDRW | SHEET 1 OF 1