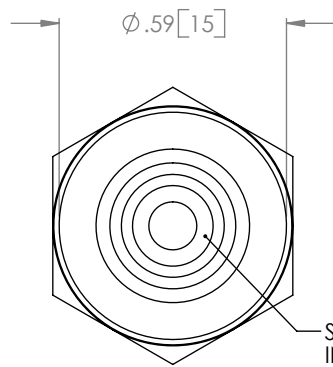


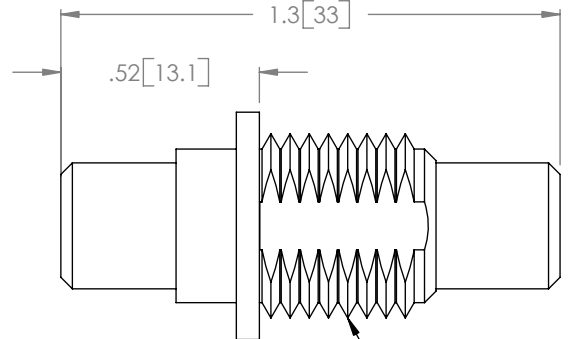
THE INFORMATION CONTAINED IN THIS DRAWING IS THE SOLE PROPERTY OF L-COM, INC. ANY REPRODUCTION IN PART OR WHOLE WITHOUT THE WRITTEN PERMISSION OF L-COM, INC. IS PROHIBITED.

REVISIONS			
REV	DESCRIPTION	DATE	CHANGED BY
A	RELEASED TO PRODUCTION	11/20/01	MCCORMICK
B	ECN 1906: CREATED ADDITIONAL PART NUMBERS	11/10/04	MCCORMICK
C	ECN 2182 1.3" DIM WAS 1.02"	08/18/05	MCCORMICK
D	ECN 3129: UPDATE DWG FORMAT	12/20/07	D.GRIFFIN

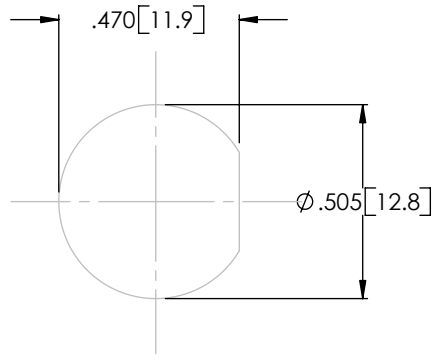
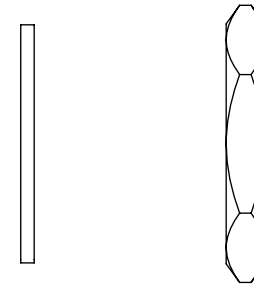


2X RCA JACK

SEE TABLE FOR INSULATOR COLOR

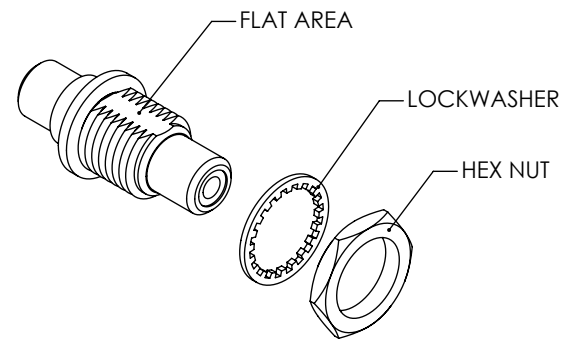


.50-28 THREAD



RECOMMENDED PANEL OPENING

TABLE	
PART #	COLOR
BA400	WHITE
BA400R	RED
BA400G	GREEN
BA400B	BLUE
BA400Y	YELLOW



FLAT AREA

LOCKWASHER

HEX NUT

NOTES:

MATERIAL:
 BODY: NICKEL PLATED BRASS
 INSULATOR: DELRIN
 CONNECTOR IS NOT ISOLATED

RoHS Compliant ✓

UNLESS OTHERWISE SPECIFIED, DIMENSIONS ARE IN INCHES [mm] TOLERANCES TO BE: .X ±.1 [2.5] ANGLES ±2° .XX ±.01 [.25] .XXX ±.005 [.13] OVERALL CABLE LENGTH TOL: ≤ 60 [1524] +3 [76.2] / -0 > 60 [1524] +5% / -0%	APPROVALS	DATE	L-com CONNECTIVITY PRODUCTS 45 BEECHWOOD DRIVE NORTH ANDOVER, MA 01845	
	DRAWN BY C.MCCORMICK	11/20/2001		CATEGORY COAXIAL
	CHECKED BY D.PARHAM	11/20/2001		PRODUCT DESCRIPTION RCA JACK TO RCA JACK BULKHEAD ADAPTOR
	APPROVED BY R.CARRICK	11/20/2001		SIZE A FSCM NO. 43321 DWG. NO. BA400 REV. D
PROJ	CONFIGURATION DETAILS OF UNDIMENSIONED FEATURES MAY VARY		SCALE: NONE CAD FILE: BA400.SLDDRW SHEET 1 OF 1	