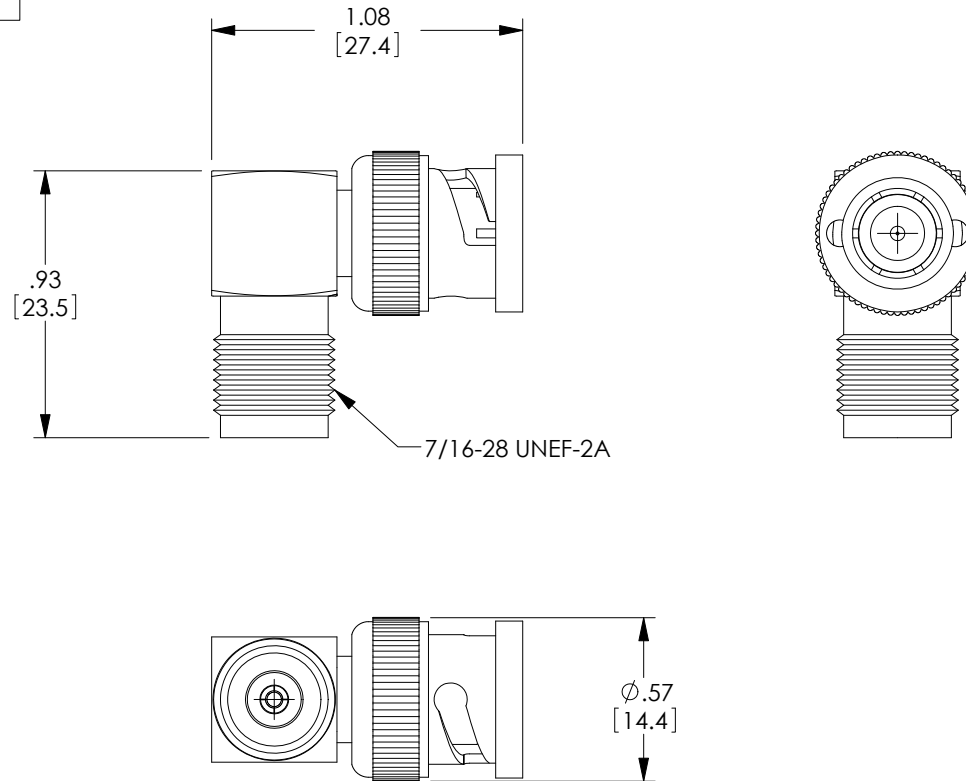


THE INFORMATION CONTAINED IN THIS DRAWING IS THE SOLE PROPERTY OF L-COM, INC. ANY REPRODUCTION IN PART OR WHOLE WITHOUT THE WRITTEN PERMISSION OF L-COM, INC. IS PROHIBITED.

REVISIONS			
REV	DESCRIPTION	DATE	APPROVED
A	INITIAL RELEASE	8/6/07	R.POLUBINSKI
B	ECN 5218: CREATE MODEL, NEW DRAWING FORMAT	12/17/10	D.FRISIELLO

DESCRIPTION	MATERIAL	FINISH
BODY	BRASS	NICKEL PLATE
INSULATOR	ACETAL	-
CONTACTS	BRASS	GOLD PLATE



NOTES:

ELECTRICAL:  
 IMPEDANCE: 50 OHM  
 FREQUENCY RANGE: DC ~ 4 GHz  
 VOLTAGE RATING: 500 VOLTS PEAK

MISCELLANEOUS:  
 ALL DIMENSIONS ARE FOR REFERENCE ONLY.

COMPONENT SHALL BE INDIVIDUALLY PACKAGED IN ACCORDANCE WITH L-COM SPECIFICATION PS-0031.

RoHS Compliant ✓



UNLESS OTHERWISE SPECIFIED, DIMENSIONS ARE IN INCHES [mm] OVERALL CABLE LENGTH TOLERANCE: ≤12 [305] = +1 [25] / -0 >12 [305] ≤60 [1524] = +2 [51] / -0 >60 [1524] ≤120 [3048] = +4 [102] / -0 >120 [3048] ≤300 [7620] = +6 [152] / -0 >300 [7620] = +3% / -0%	APPROVALS	DATE		45 BEECHWOOD DRIVE NORTH ANDOVER, MA 01845
	DRAWN BY R.POLUBINSKI	8/6/07		
ALL OTHER DIMENSIONAL TOLERANCES: .X = ±.2 .XX = ±.02 .XXX = ±.005	CHECKED BY J.ROBERTS	8/16/07	CATEGORY <b>COAXIAL</b>	
	APPROVED BY K.BURGNER	12/17/10	PRODUCT DESCRIPTION <b>ADAPTER, BNC-M/TNC-F RA</b>	
PROJECTION 	CONFIGURATION DETAILS OF UNDIMENSIONED FEATURES MAY VARY	COLOR VARIATIONS MAY OCCUR	SIZE <b>A</b>	FSCM NO. <b>43321</b>
DWG. NO. <b>BA3002</b>		SCALE: NONE	CAD FILE: BA3002.SLDDRW	REV. <b>B</b>
			SHEET 1 OF 1	