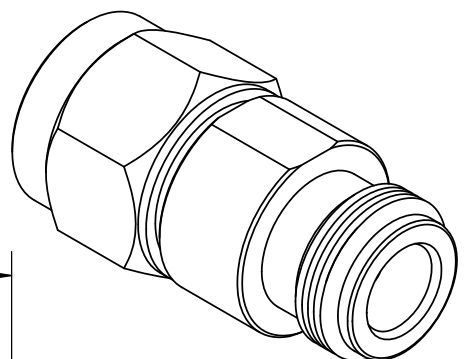
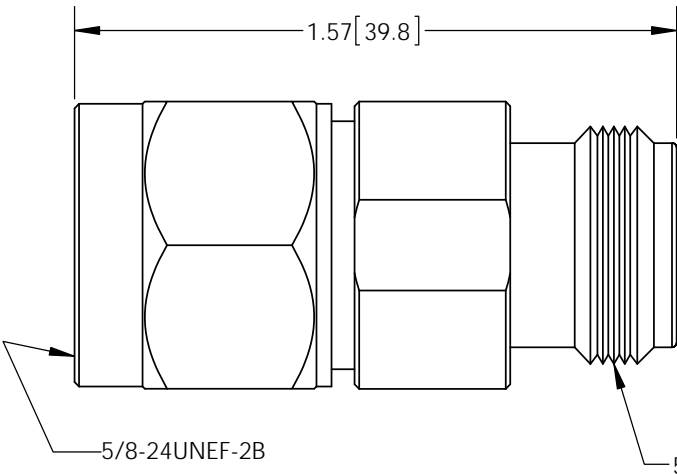
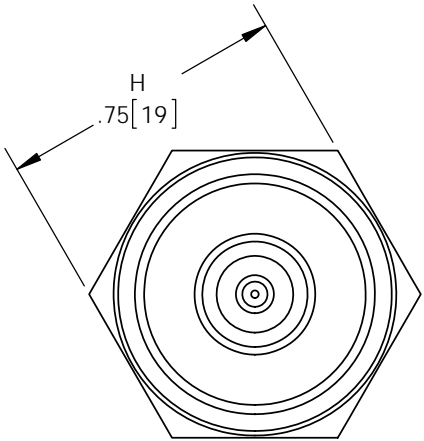


THE INFORMATION CONTAINED IN THIS DRAWING IS THE SOLE PROPERTY OF L-COM, INC. ANY REPRODUCTION IN PART OR WHOLE WITHOUT THE WRITTEN PERMISSION OF L-COM, INC. IS PROHIBITED.

REVISIONS			
REV	DESCRIPTION	DATE	APPROVED
A	INITIAL RELEASE	10/28/15	D.GRIFFIN

DESCRIPTION	MATERIAL	FINISH
GASKETS	SILICONE RUBBER	---
BODY	BRASS	CuSnZn3
INSULATOR	PTFE	SILVER
CENTER CONTACT	BRONZE	SILVER



NOTES:

ELECTRICAL:
 IMPEDANCE: 50 OHM
 FREQUENCY RANGE: DC-3GHz
 VSWR: ≤ 1.1
 PASSIVE INTERMODULATION(PIM): ≤ -160dBc
 DIELECTRIC WITHSTANDING VOLTAGE: 2500V
 INSERTION LOSS: ≤ .05 dB
 INSULATION RESISTANCE: ≥ 5000M OHM
 CONTACT RESISTANCE:
 CENTER CONTACT: ≤ 1.0m OHM
 OUTER CONTACT: ≤ 0.25m OHM

MECHANICAL:
 DURABILITY: ≥ 500
 INTERFACE DIMENSIONS CONFORMABLE TO IEC 60169-16

PACKAGING:
 COMPONENT SHALL BE INDIVIDUALLY PACKAGED IN ACCORDANCE WITH L-COM SPECIFICATION PKG-00012

REGULATORY COMPLIANCE:
 CE2011/65/EU(RoHS DIRECTIVE)

UNLESS OTHERWISE SPECIFIED, DIMENSIONS ARE IN INCHES [mm] DIMENSIONAL TOLERANCES: .X = ±.1 [2.54] .XX = ±.01 [.25] .XXX = ±.005 [.13] ANGULAR TOLERANCES: ALL = ± 1° PROJECTION 	APPROVALS DRAWN BY B.PUCHASKI CHECKED BY K.BURGNER APPROVED BY P.PESA	DATE 09/30/15 09/30/15 09/30/15	45 BEECHWOOD DRIVE NORTH ANDOVER, MA 01845		
	CATEGORY COAXIAL				
	CONFIGURATION DETAILS OF UNDIMENSIONED FEATURES MAY VARY		PRODUCT DESCRIPTION N-MALE TO N-FEMALE ADAPTER PIM RATED		
COLOR VARIATIONS MAY OCCUR		SIZE A	FSCM NO. 43321	DWG. NO. AXA-PNMNF	REV. A
SCALE: NONE		CAD FILE: AXA-PNMNF.SLDDRW		SHEET 1 OF 1	