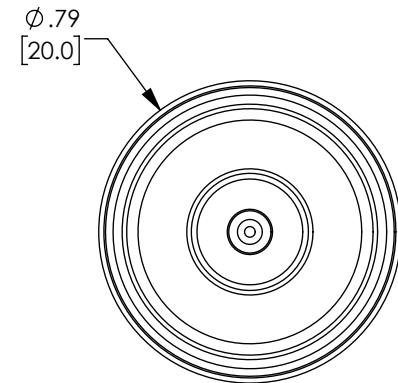
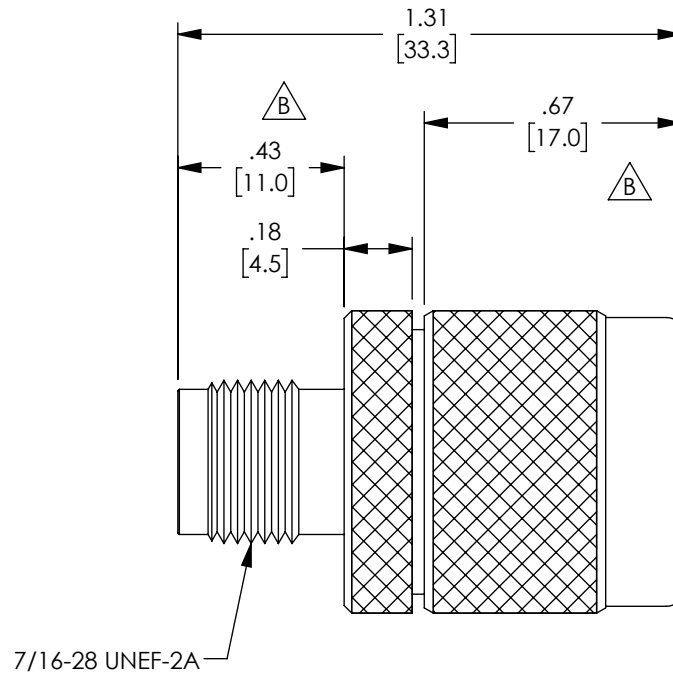


THE INFORMATION CONTAINED IN THIS DRAWING IS THE SOLE PROPERTY OF L-COM, INC. ANY REPRODUCTION IN PART OR WHOLE WITHOUT THE WRITTEN PERMISSION OF L-COM, INC. IS PROHIBITED.

REVISIONS			
REV	DESCRIPTION	DATE	APPROVED
A	INITIAL RELEASE	04/20/2010	DFRISIELLO
B	ECN 9754: REVISE MODEL AND UPDATE DRAWING AND DIMENSIONS	03/20/2019	DFRISIELLO

DESCRIPTION	MATERIAL	FINISH
BODY	BRASS	NICKEL PLATE
CENTER CONTACTS	BRASS	GOLD PLATE
DIELECTRIC	TFE	-
GASKET	RUBBER	-
RETAINING RING	BRASS	NICKEL PLATE



NOTES:

ELECTRICAL:
 IMPEDANCE: 50 OHMS
 FREQUENCY RANGE: DC ~ 11 GHz
 VOLTAGE RATING: 500 VOLTS PEAK
 DIELECTRIC WITHSTANDING VOLTAGE: 1000 VOLTS RMS

MISCELLANEOUS:
 COMPONENT SHALL BE INDIVIDUALLY PACKAGED IN ACCORDANCE WITH L-COM SPECIFICATION PS-0031.

ALL DIMENSIONS ARE FOR REFERENCE ONLY.

UNLESS OTHERWISE SPECIFIED, DIMENSIONS ARE IN INCHES [mm] OVERALL CABLE LENGTH TOLERANCE: ≤12 [305] = +1 [25] / -0 >12 [305] ≤60 [1524] = +2 [51] / -0 >60 [1524] ≤120 [3048] = +4 [102] / -0 >120 [3048] ≤300 [7620] = +6 [152] / -0 >300 [7620] = +5% / -0%	APPROVALS	DATE		50 HIGH STREET NORTH ANDOVER, MA 01845
	DRAWN BY DFRISIELLO	04/20/2010		CATEGORY
ALL OTHER DIMENSIONAL TOLERANCES: .X = ± .2 [5.08] .XX = ± .02 [1.51] .XXX = ± .005 [1.13]	CHECKED BY K.BURGNER	04/20/2010	PRODUCT DESCRIPTION	
PROJECTION 	APPROVED BY K.BURGNER	04/20/2010	ADAPTER, TYPE N-MALE TO TYPE TNC FEMALE	
	CONFIGURATION DETAILS OF UNDIMENSIONED FEATURES MAY VARY		SIZE A	FSCM NO. 43321
	COLOR VARIATIONS MAY OCCUR		DWG. NO. AXA-NMTF	REV. B
			SCALE: NONE	CAD FILE: AXA-NMTF.SLDDRW
				SHEET 1 OF 1