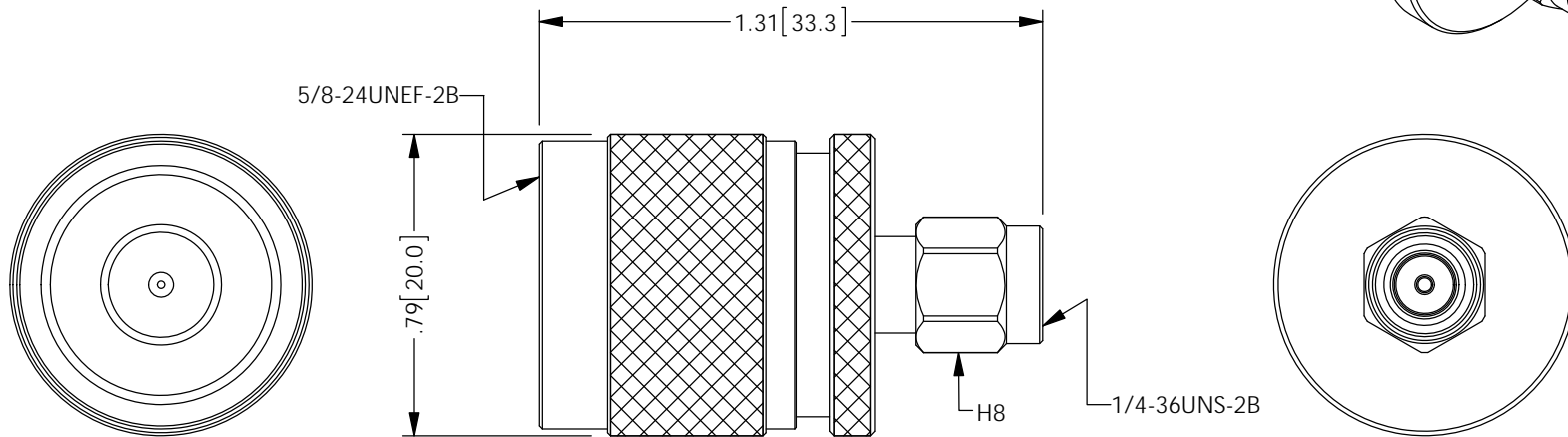
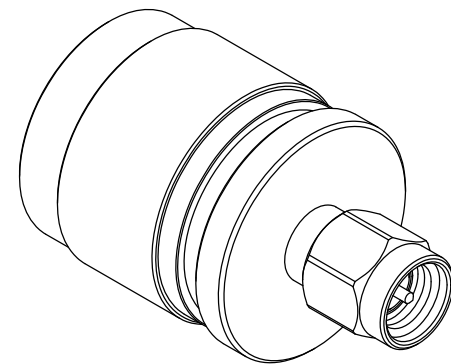


THE INFORMATION CONTAINED IN THIS DRAWING IS THE SOLE PROPERTY OF L-COM, INC. ANY REPRODUCTION IN PART OR WHOLE WITHOUT THE WRITTEN PERMISSION OF L-COM, INC. IS PROHIBITED.

REVISIONS			
REV	DESCRIPTION	DATE	APPROVED
A	INITIAL RELEASE	02/21/05	--
B	ECN8371 UPDATE DRAWING SPECS, ADD ELECTRICAL SPECS	06/16/16	B.PUCHASKI

DESCRIPTION	MATERIAL	FINISH
BODY	BRASS	NICKEL
CENTER PIN	BRASS	GOLD
INSULATOR(1)	PTFE	--
INSULATOR(2)	PTFE	--
GROUNDING	BRASS	NICKEL
RETAINING RING(1)	BRASS	NICKEL
GASKET(1)	SI-RUBBER	ORANGE
SHELL(1)	BRASS	NICKEL
RETAINING RING(2)	BRASS	NICKEL
GASKET(2)	SI-RUBBER	ORANGE
SHELL(2)	BRASS	NICKEL



NOTES:

ELECTRICAL:

IMPEDENCE: 50 OHMS
 FREQUENCY RANGE: DC-11 GHz
 INSERTION LOSS: .15 dB MAX
 VOLTAGE RATING: 500 VOLTSEAK
 DIELECTRIC WITHSTANDING VOLTAGE: 1000V RMS

MISCELLANEOUS:

COMPONENTS SHALL BE INDIVIDUALLY PACKAGED IN ACCORDANCE WITH L-COM SPECIFICATIONS PS-0031.

ALL DIMENSIONS ARE FOR REFERENCE ONLY.

REGULATORY COMPLIANCE:
 CE2011/65/EU(RoHS DIRECTIVE)

UNLESS OTHERWISE SPECIFIED, DIMENSIONS ARE IN INCHES [mm] DIMENSIONAL TOLERANCES: .X = ±.1 [2.54] .XX = ±.01 [.25] .XXX = ±.005 [.13] ANGULAR TOLERANCES: ALL = ± 1°	APPROVALS	DATE		45 BEECHWOOD DRIVE NORTH ANDOVER, MA 01845	
	DRAWN BY --	02/21/05			
	CHECKED BY P.PESA	02/21/05	CATEGORY	COAXIAL	
	APPROVED BY P.PESA	02/21/05	PRODUCT DESCRIPTION	N-MALE TO SMA-MALE ADAPTOR	
PROJECTION 	COLOR VARIATIONS MAY OCCUR	SIZE A	FSCM NO. 43321	DWG. NO. AXA-NMSM	REV. B
		SCALE: NONE	CAD FILE: AXA-NMSM.SLDDRW	SHEET 1 OF 1	