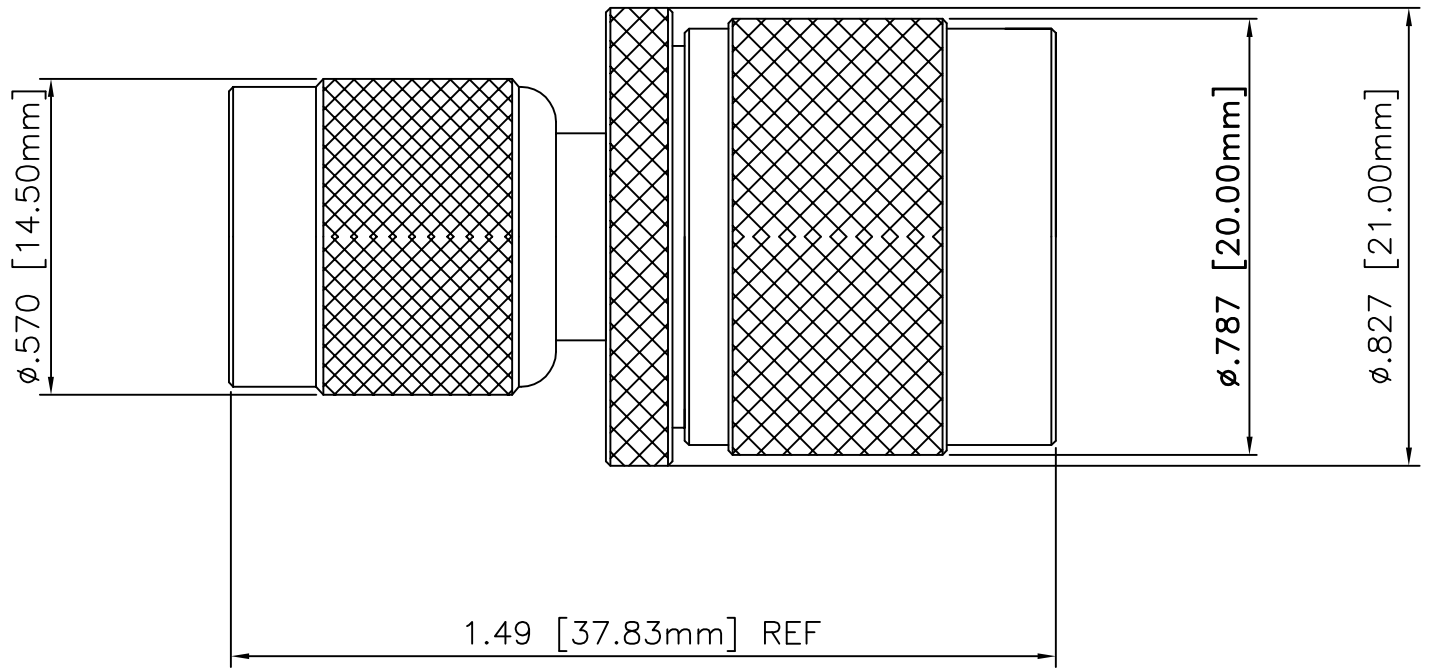


| MATERIALS |                     |
|-----------|---------------------|
| BODY      | NICKEL PLATED BRASS |
| CONTACT   | GOLD PLATED BRASS   |
| INSULATOR | TEFLON              |



- NOTES:
- UNLESS OTHERWISE SPECIFIED ALL DIMENSIONS ARE NOMINAL.
  - ALL SPECIFICATIONS ARE SUBJECT TO CHANGE WITHOUT NOTICE AT ANY TIME.

| REV | ECN No. | DATE | DESCRIPTION | DRAWN BY   | P. Pesa   | 04/17/03       | DRAWING No.       | REV |
|-----|---------|------|-------------|------------|-----------|----------------|-------------------|-----|
| -   | -       | -    | -           | ORIGINATOR | P. Pesa   | 04/17/03       | AXA-NMRTP         | A   |
|     |         |      |             | APPROVAL   | P. Pesa   | 04/17/03       | PART No. AXA-NMRP |     |
|     |         |      |             | SCALE NA   | SHEET 1/1 | MATERIAL Noted | FILE No. AXA-NMRP |     |

SIZE: A  
TITLE: Adapter - N-Male to RP-TNC-Plug