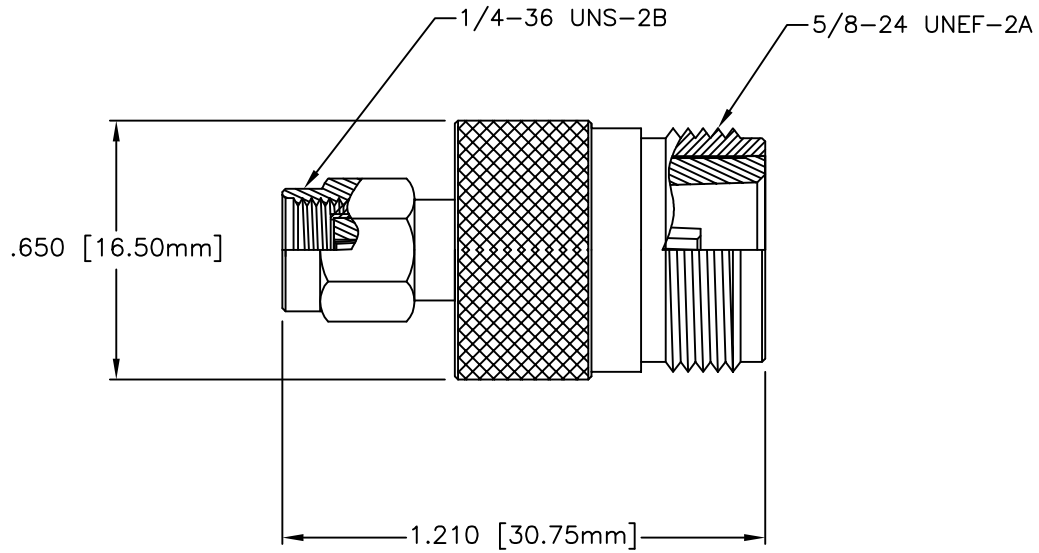



MATERIALS	
BODY	NICKEL PLATED BRASS
CONTACT	GOLD PLATED BRASS
INSULATOR	TEFLON



- NOTES:
1. UNLESS OTHERWISE SPECIFIED ALL DIMENSIONS ARE NOMINAL.
 2. ALL SPECIFICATIONS ARE SUBJECT TO CHANGE WITHOUT NOTICE AT ANY TIME.

				SIZE	TITLE:			
				A	Adapter: N-Female to RP-SMA-Plug			
REV	ECN No.	DATE	DESCRIPTION	DRAWN BY	P. Pesa	05/08/03	DRAWING No.	REV
-	-	-	-	ORIGINATOR	P. Pesa	05/08/03	AXA-NFRSP	A
 <p>Website: www.L-com.com Tel: 1-800-343-1455 Copyright © 2009 L-com, Inc. All rights reserved.</p>				APPROVAL	P. Pesa	05/08/03	PART No.	AXA-NFRSP
				SCALE 3:1	SHEET 1/1	MATERIAL Noted	FILE No.	AXA-NFRSP