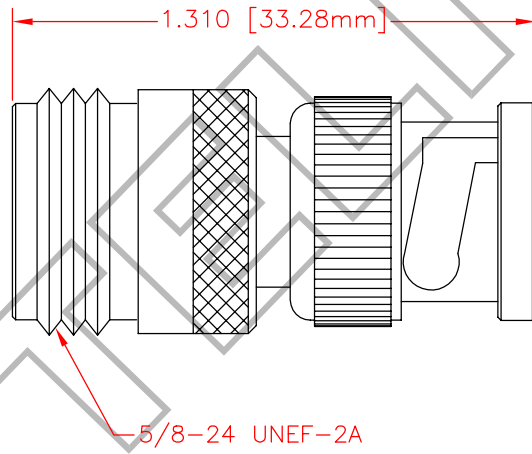


MATERIALS	
BODY	NICKEL PLATED BRASS
CONTACT	GOLD PLATED BRASS
INSULATOR	PTFE



- NOTES:
1. UNLESS OTHERWISE SPECIFIED ALL DIMENSIONS ARE NOMINAL.
 2. ALL SPECIFICATIONS ARE SUBJECT TO CHANGE WITHOUT NOTICE AT ANY TIME.

				SIZE	TITLE:		
				A	Adapter: N-Female to BNC Male		
REV	ECN No.	DATE	DESCRIPTION	DRAWN BY	A. VAJANYI 08/03/03	DRAWING No.	REV
-	-	-	-	ORIGINATOR	A. VAJANYI 08/03/03	AXA-NFBM	A
ALTELICON YOUR CONNECTOR CONNECTION <small>ALTELICON Website: www.altelicon.com E-Mail: sales@altelicon.com Copyright © ALTELICON. All rights reserved.</small>				APPROVAL	P. Pesa 08/03/03	PART No.	AXA-NFBM
				SCALE 3:1	SHEET 1/1	MATERIAL Noted	FILE No.