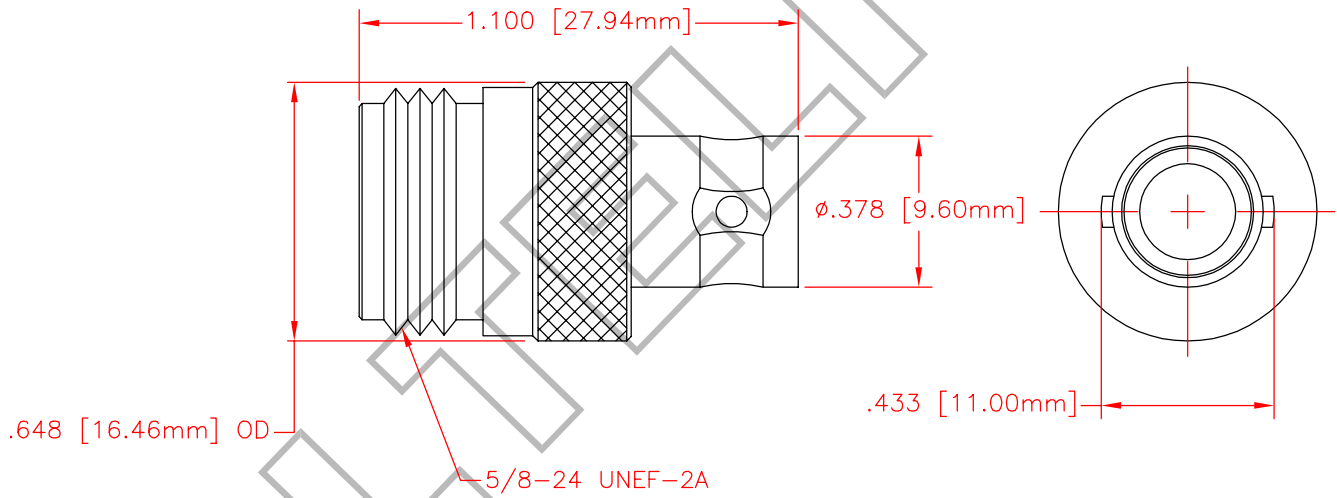


MATERIALS	
BODY	NICKEL PLATED BRASS
CONTACT	GOLD PLATED BRASS
INSULATOR	PTFE



- NOTES:
1. UNLESS OTHERWISE SPECIFIED ALL DIMENSIONS ARE NOMINAL.
 2. ALL SPECIFICATIONS ARE SUBJECT TO CHANGE WITHOUT NOTICE AT ANY TIME.

REV	ECN No.	DATE	DESCRIPTION	SIZE	TITLE:	DRAWN BY	ORIGINATOR	APPROVAL	SCALE	SHEET	MATERIAL	FILE No.	DRAWING No.	REV
-	-	-	-	A	Adapter: N-Female to BNC Female	A. VAJANYI 08/03/03	A. VAJANYI 08/03/03	P. Pesa 08/03/03	3:1	1/1	Noted	AXA-NFBF	AXA-NFBF	A
ALTELICON YOUR CONNECTOR CONNECTION <small>ALTELICON Website: www.altelicon.com E-Mail: sales@altelicon.com Copyright © ALTELICON. All rights reserved.</small>				DRAWING No. AXA-NFBF PART No. AXA-NFBF FILE No. AXA-NFBF										