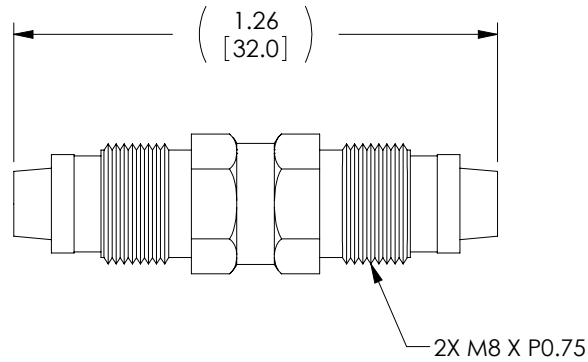
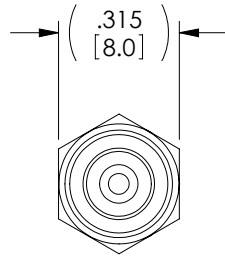


THE INFORMATION CONTAINED IN THIS DRAWING IS THE SOLE PROPERTY OF L-COM, INC. ANY REPRODUCTION IN PART OR WHOLE WITHOUT THE WRITTEN PERMISSION OF L-COM, INC. IS PROHIBITED.

REVISIONS			
REV	DESCRIPTION	DATE	APPROVED
A	INITIAL RELEASE	11/10/10	D.GRIFFIN

DESCRIPTION	MATERIAL	FINISH
BODY	BRASS	NICKEL
DIELECTRIC	TEFLON	---
PIN	BRASS	GOLD
NUT	BRASS	NICKEL



**NOTES:**

**ELECTRICAL:**

IMPEDANCE: 50 OHMS  
 FREQUENCY RANGE: DC ~ 200 MHz

**MISCELLANEOUS:**

ADAPTER SHALL BE INDIVIDUALLY PACKAGED  
 IN ACCORDANCE WITH L-COM SPEC. PS-0031

**RoHS Compliant** ✓

UNLESS OTHERWISE SPECIFIED, DIMENSIONS ARE IN INCHES [mm] OVERALL CABLE LENGTH TOLERANCE: ≤12 [305] = +1 [25] / -0 >12 [305] ≤60 [1524] = +2 [51] / -0 >60 [1524] ≤120 [3048] = +4 [102] / -0 >120 [3048] ≤300 [7620] = +6 [152] / -0 >300 [7620] = +3% / -0% ALL OTHER DIMENSIONAL TOLERANCES: .X = ± .2 .XX = ± .02 .XXX = ± .005	APPROVALS DRAWN BY D. CASTRO CHECKED BY K. BURGNER APPROVED BY K. BURGNER	DATE 11/10/10 11/10/10 11/10/10	45 BEECHWOOD DRIVE NORTH ANDOVER, MA 01845
	CONFIGURATION DETAILS OF UNDIMENSIONED FEATURES MAY VARY		
PROJECTION 	COLOR VARIATIONS MAY OCCUR	SIZE <b>A</b>	FSCM NO. <b>43321</b>
		DWG. NO. AXA-FMEJFMEJ	REV. <b>A</b>
		SCALE: NONE	CAD FILE: AXA-FMEJFMEJ.SLDDRW
		SHEET 1 OF 1	