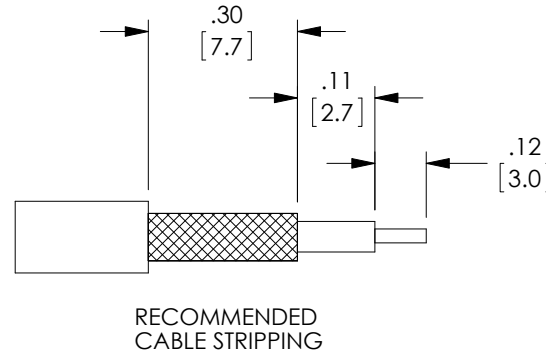
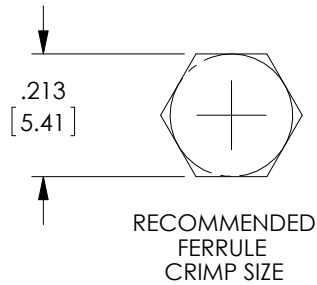
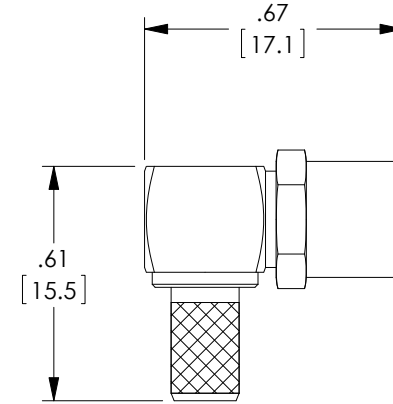


THE INFORMATION CONTAINED IN THIS DRAWING IS THE SOLE PROPERTY OF L-COM, INC. ANY REPRODUCTION IN PART OR WHOLE WITHOUT THE WRITTEN PERMISSION OF L-COM, INC. IS PROHIBITED.

RoHS Compliant ✓

REVISIONS			
REV	DESCRIPTION	DATE	APPROVED
A	INITIAL RELEASE	2/1/07	P.PESA
B	CHANGED DRAWING TO INCLUDE A LARGER SHROUD	6/22/07	P.PESA
C	ECN 6556: REVISED AND REDRAWN, NEW FORMAT	12/5/12	D.FRISIELLO

DESCRIPTION	MATERIAL	FINISH
BODY	BRASS	NICKEL
INSULATOR	PTFE	-
CENTER PIN	BRASS	GOLD
RETAINING RING	BRASS	-
GASKET	RUBBER	-
SHELL	BRASS	NICKEL
FERRULE	BRASS	NICKEL
CAP	BRASS	NICKEL



NOTES:

ELECTRICAL:
 IMPEDANCE: 50 OHMS
 WITHSTAND VOLTAGE: 2500V
 FREQUENCY RANGE: 0~6 GHz
 VSWR: 1.3 MAX.
 DURABILITY: > 500 CYCLE
 CABLE RETENTION: > 40 POUNDS

MISCELLANEOUS:
 APPLICATIONS: LMR195, RG58.

COMPONENTS SHALL BE INDIVIDUALLY PACKAGED IN ACCORDANCE WITH L-COM SPECIFICATIONS PS-0031.

ALL DIMENSIONS ARE FOR REFERENCE ONLY.

UNLESS OTHERWISE SPECIFIED, DIMENSIONS ARE IN INCHES [mm] OVERALL CABLE LENGTH TOLERANCE: ≤ 12 [305] = +1 [25] / -0 > 12 [305] ≤ 60 [1524] = +2 [51] / -0 > 60 [1524] ≤ 120 [3048] = +4 [102] / -0 > 120 [3048] ≤ 300 [7620] = +6 [152] / -0 > 300 [7620] = +3% / -0% ALL OTHER DIMENSIONAL TOLERANCES: .X = ± .2 .XX = ± .02 .XXX = ± .005	APPROVALS DRAWN BY D.FRISIELLO CHECKED BY T.VADEN APPROVED BY K.BURGNER	DATE 12/4/12 12/4/12 12/4/12	45 BEECHWOOD DRIVE NORTH ANDOVER, MA 01845			
	CATEGORY COAXIAL			PRODUCT DESCRIPTION CON, SHROUDED SMA MALE R/ANGLE		
	PROJECTION 	CONFIGURATION DETAILS OF UNDIMENSIONED FEATURES MAY VARY COLOR VARIATIONS MAY OCCUR	SIZE A		FSCM NO. 43321	DWG. NO. ASM-1714
	SCALE: NONE			CAD FILE: ASM-1714.SLDDRW	SHEET 1 OF 1	