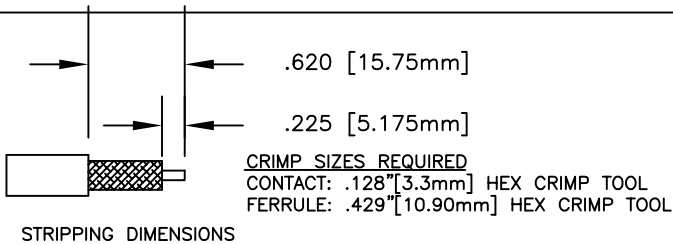
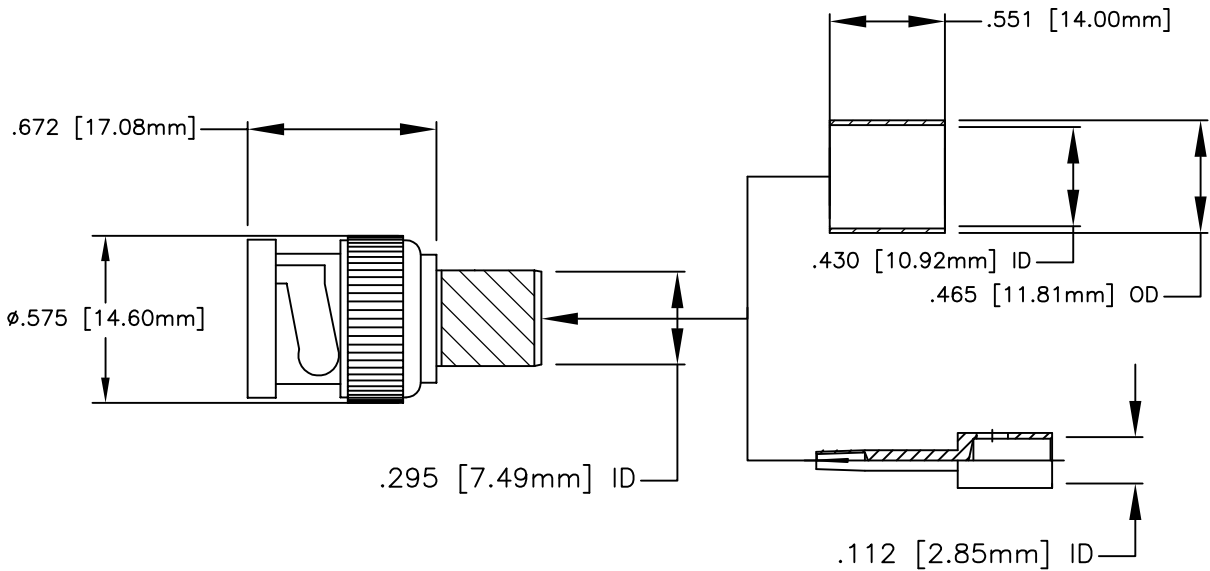


MATERIALS	
BODY	NICKEL PLATED BRASS
CONTACT	GOLD PLATED BRASS
INSULATOR	PTFE



CRIMP SIZES REQUIRED
 CONTACT: .128" [3.3mm] HEX CRIMP TOOL
 FERRULE: .429" [10.90mm] HEX CRIMP TOOL

- NOTES:
1. UNLESS OTHERWISE SPECIFIED ALL DIMENSIONS ARE NOMINAL.
 2. ALL SPECIFICATIONS ARE SUBJECT TO CHANGE WITHOUT NOTICE AT ANY TIME.

REV	ECN No.	DATE	DESCRIPTION	SIZE	TITLE:	DRAWN BY	DATE	DRAWING No.	REV
				A	Crimp: RP-BNC-Plug for Cable Group 4	M. Audas	10/31/06	ARBP-1402	A
						M. Audas	10/31/06		
						P. Pesa	10/31/06	PART No. ARBP-1402	
						SHEET 1/1	MATERIAL Noted	FILE No. ARBP-1402	