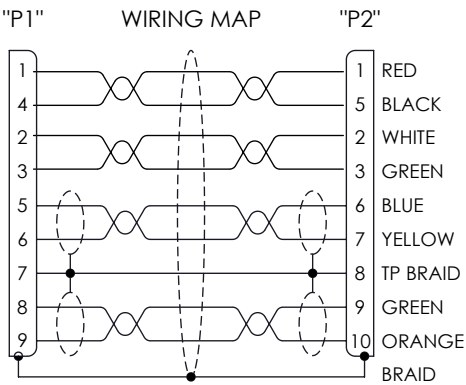
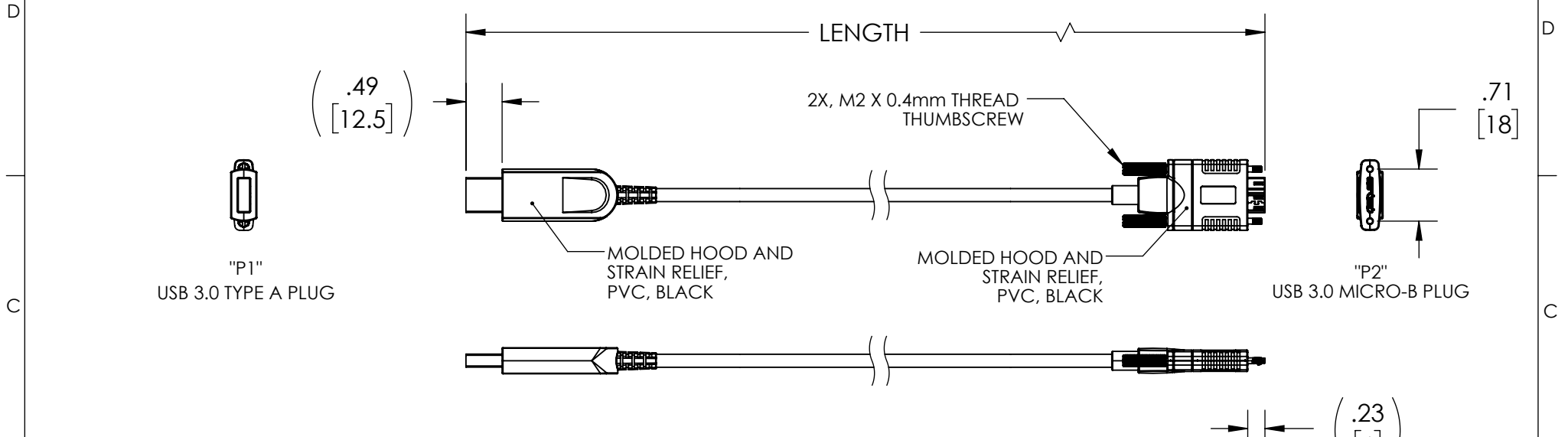


THE INFORMATION CONTAINED IN THIS DRAWING IS THE SOLE PROPERTY OF L-COM, INC. ANY REPRODUCTION IN PART OR WHOLE WITHOUT THE WRITTEN PERMISSION OF L-COM, INC. IS PROHIBITED.

REVISIONS			
REV	DESCRIPTION	DATE	APPROVED
A	INITIAL RELEASE	05/03/22	PHOSPODAR



USB 3.0 HIGH FLEX CABLE
JACKET: PVC, BLACK
NOM DIA. - .177" [4.5]

PART NUMBER	LENGTH METERS [FT]
AOC-U30AMIM-C1S-005	05 [16.4]
AOC-U30AMIM-C1S-008	08 [26.3]
AOC-U30AMIM-C1S-010	10 [32.8]
AOC-U30AMIM-C1S-015	15 [49.2]
AOC-U30AMIM-C1S-020	20 [65.6]
AOC-U30AMIM-C1S-030	30 [98.4]

- NOTES:**
- CABLE TYPE-U DRAG CHAIN TESTING:
5 MILLION CYCLES MIN. (.75mm BEND RADIUS)
 - CABLE ASSEMBLY SHALL HAVE 360° SHIELD TERMINATION.
 - CABLE ASSEMBLY SHALL BE TESTED FOR CONTINUITY.
 - CABLE ASSEMBLY SHALL BE INDIVIDUALLY PACKAGED IN ACCORDANCE WITH L-COM SPECIFICATION PS-0031.

REGULATORY COMPLIANCE:
EU RoHS DIRECTIVE (MOST RECENT RELEASED VERSION)

UNLESS OTHERWISE SPECIFIED, DIMENSIONS ARE IN INCHES [mm] OVERALL CABLE LENGTH TOLERANCE: ≤12 [305] = +1 [25] / -0 >12 [305] ≤60 [1524] = +2 [51] / -0 >60 [1524] ≤120 [3048] = +4 [102] / -0 >120 [3048] ≤300 [7620] = +6 [152] / -0 >300 [7620] = +5% / -0 ALL OTHER DIMENSIONAL TOLERANCES: .X = ± .2 [5] FRACTIONS ± 1/32 .XX = ± .02 [5] ANGLES ± 1° .XXX = ± .005 [1.3]	APPROVALS DRAWN BY VTHANGARAJ CHECKED BY PHOSPODAR APPROVED BY PHOSPODAR	DATE 05/03/22 05/03/22 05/03/22		50 High Street, West Mill, North Andover, MA 01845 USA. Phone: 1.800.341.5266 1.978.682.6936
	CONFIGURATION DETAILS OF UNDIMENSIONED FEATURES MAY VARY			CATEGORY USB
	COLOR VARIATIONS MAY OCCUR			PRODUCT DESCRIPTION USB 3.0 Active Optical Cable, A male to Micro-B male drag chain jacket w/screw
	THIRD-ANGLE PROJECTION 	SIZE A		CAGE CODE 43321

SCALE: NONE | CAD FILE: AOC-U30AMIM-C1S.SLDDRW | SHEET 1 OF 1