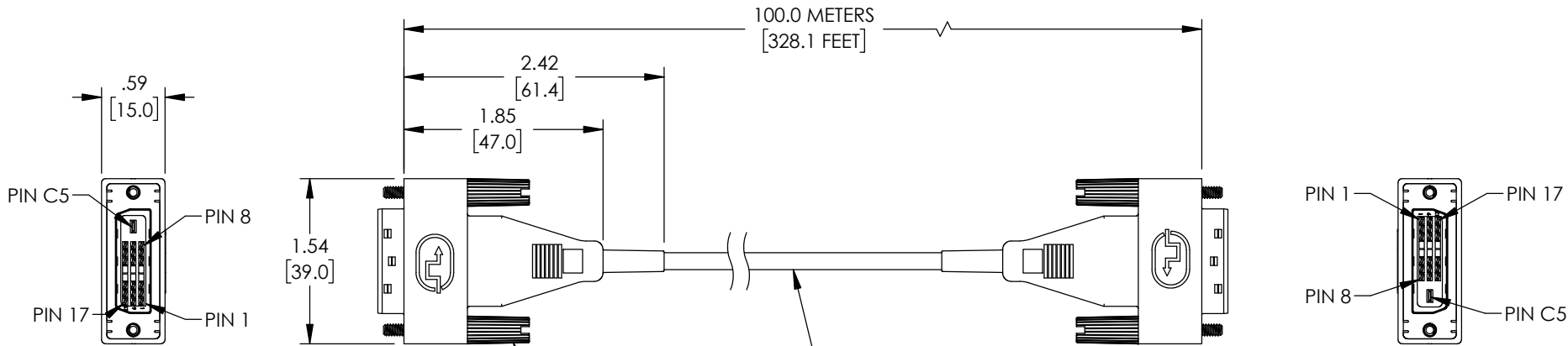


THE INFORMATION CONTAINED IN THIS DRAWING IS THE SOLE PROPERTY OF L-COM, INC. ANY REPRODUCTION IN PART OR WHOLE WITHOUT THE WRITTEN PERMISSION OF L-COM, INC. IS PROHIBITED.

REVISIONS			
REV	DESCRIPTION	DATE	APPROVED
A	INITIAL RELEASE	10/15/2020	PHOSPODAR

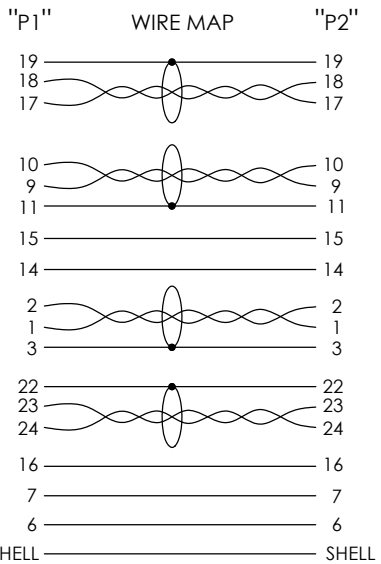


"P1"
2X DVI-D MALE
SINGLE LINK
CONNECTOR

4X 4-40 UNC-2A
THUMBSCREW

HYBRID TYPE CABLE WITH 50/125 OM3 FIBER
AND COPPER CONDUCTORS.
ALUM/POLY FOIL SHIELD
JACKET: PVC, BLACK (O.D.: .157 [4.0])

"P2"



- NOTES:
- CONNECTOR DIMENSIONS ARE FOR REFERENCE ONLY.
 - CABLE ASSEMBLY SHALL BE TESTED FOR CONTINUITY.
 - CABLE ASSEMBLY SHALL BE INDIVIDUALLY PACKAGED IN ACCORDANCE WITH L-COM SPECIFICATION PS-0031.

UNLESS OTHERWISE SPECIFIED, DIMENSIONS ARE IN INCHES [mm] OVERALL CABLE LENGTH TOLERANCE: ≤12 [305] = +1 [25] / -0 >12 [305] ≤60 [1524] = +2 [51] / -0 >60 [1524] ≤120 [3048] = +4 [102] / -0 >120 [3048] ≤300 [7620] = +6 [152] / -0 >300 [7620] = +5% / -0 ALL OTHER DIMENSIONAL TOLERANCES: .X = ± .2 [5] FRACTIONS ± 1/32 .XX = ± .02 [5] ANGLES ± 1° .XXX = ± .005 [13]	APPROVALS DRAWN BY CHECKED BY APPROVED BY	DATE 10/15/2020 10/15/2020 10/15/2020	 an INFINITI® brand 50 High Street, West Mill, North Andover, MA 01845 USA. Phone: 1.800.341.5266 1.978.682.6936		
	CONFIGURATION DETAILS OF UNDIMENSIONED FEATURES MAY VARY	CATEGORY AUDIO/VIDEO		PRODUCT DESCRIPTION DVI Hybrid Active Optical Fiber Cable	
THIRD-ANGLE PROJECTION 	COLOR VARIATIONS MAY OCCUR	SIZE A	CAGE CODE 43321	ITEM NO. AOC-DVDV-S-100	REV. A
SCALE: NONE		CAD FILE: AOC-DVDV-S-100.SLDDRW		SHEET 1 OF 1	