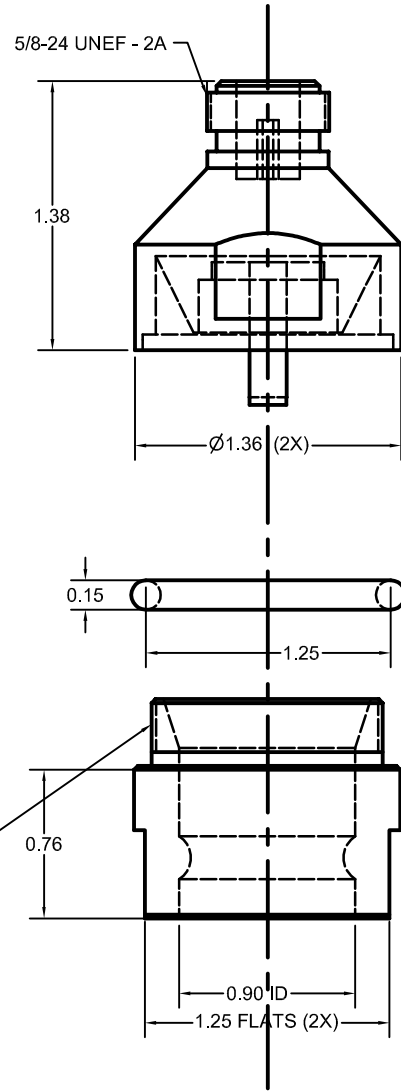
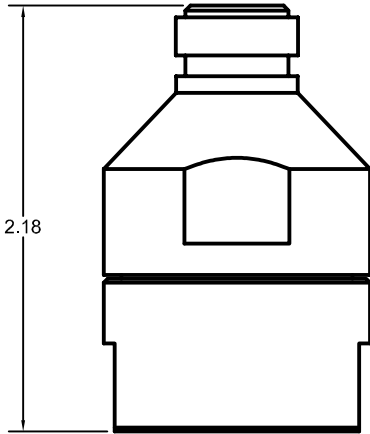
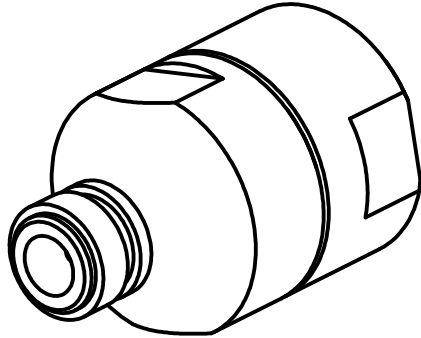


DESCRIPTION	MATERIAL	FINISH
BODY	BRASS	NICKEL
PIN	BRASS	GOLD
INSULATION	TEFLON	NONE
O-RING	BLACK RUBBER	NICKEL
CRIMP FERRULE	BRASS	NICKEL



M30x1 - 6g

NOTES:

1. UNLESS OTHERWISE SPECIFIED ALL DIMENSIONS ARE NOMINAL.
2. ALL SPECIFICATIONS ARE SUBJECT TO CHANGE WITHOUT NOTICE AT ANY TIME.

FINISH:
COLOR:
MATERIAL:
MATERIAL NOTE:
 UNLESS OTHERWISE SPECIFIED! PART TO BE FREE OF BURRS & SHARP EDGES.

TOLERANCE:
 UNLESS OTHERWISE SPECIFIED, DIMENSIONS ARE IN INCHES AND INCLUDE APPLIED FINISH TOLERANCES.
 .X = ±.1
 .XX = ±.02
 .XXX = ±.005
 ANGLES: = ±.5°

SIZE

A

TITLE:

N-MALE CLAMP CONNECTOR
 FOR CABLE TYPE: LMR900

REV	ECN No.	DATE	DESCRIPTION	DRAWN BY	JC	02/21/05	DRAWING No.	REV
							ANF-2904	A
				ORIGINATOR	JC	02/21/05		
				APPROVAL	P Pesa	02/21/05	PART No.	ANF-2904
				SCALE 1:1	SHEET 1/1	MATERIAL	Noted	FILE No. ANF-2904



Website: www.L-com.com
 Tel: 1-800-343-1455
 Copyright © 2009 L-com, Inc.
 All rights reserved.