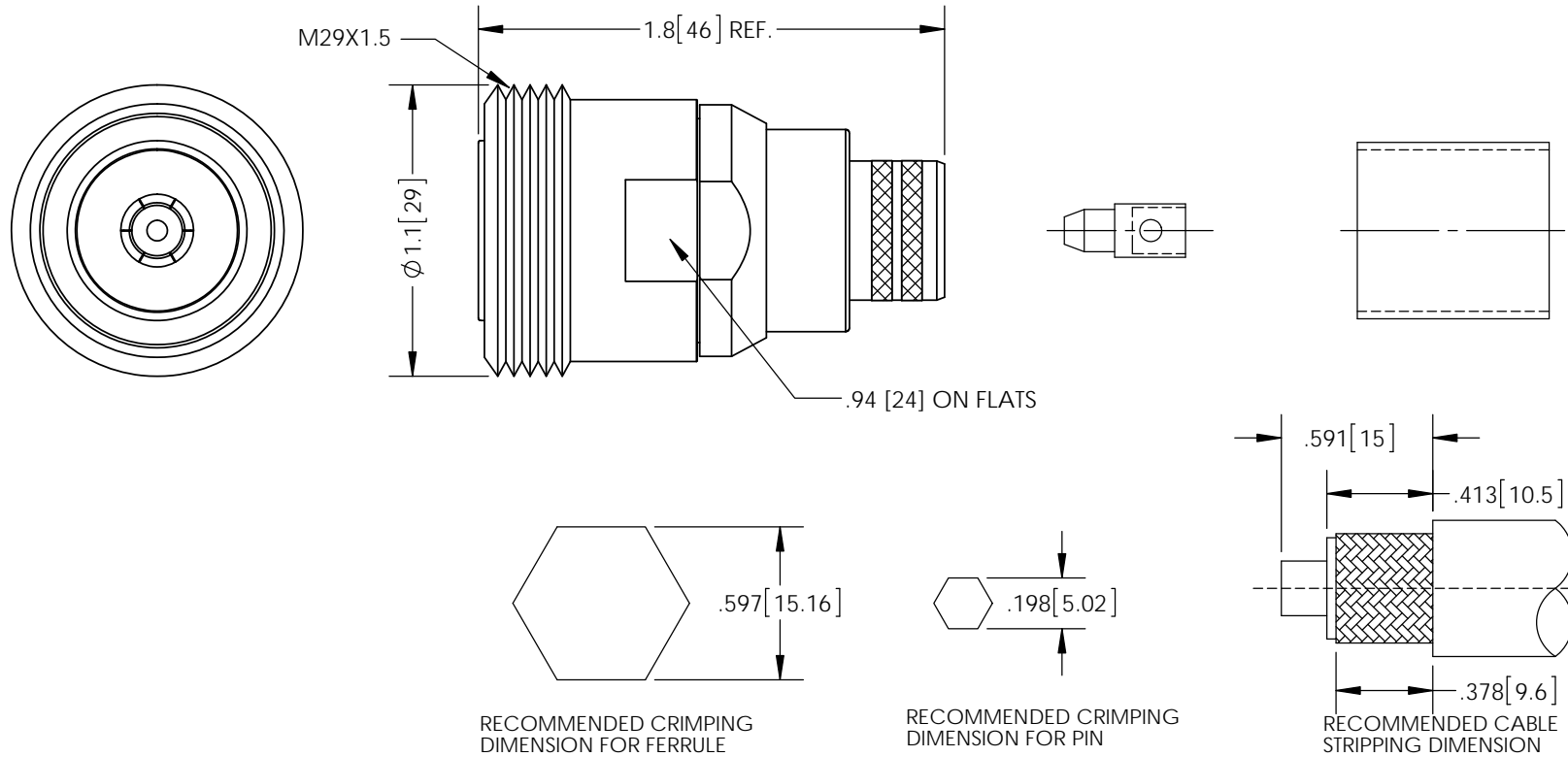


THE INFORMATION CONTAINED IN THIS DRAWING IS THE SOLE PROPERTY OF L-COM, INC. ANY REPRODUCTION IN PART OR WHOLE WITHOUT THE WRITTEN PERMISSION OF L-COM, INC. IS PROHIBITED.

REVISIONS			
REV	DESCRIPTION	DATE	APPROVED
A	INITIAL RELEASE	09/20/13	D.GRIFFIN
B	ECN7073 DIELECTRIC WITHSTANDING VOLTAGE TO 4000 VRMS (AT SEA LEVEL)	09/20/13	B.PUCHASKI

DESCRIPTION	MATERIAL	FINISH
BODY	BRASS	SILVER
SHELL	BRASS	NICKEL
INSULATOR	PTFE	---
CENTER PIN	BRASS	SILVER
PIN	BRASS	SILVER



NOTES:
 ELECTRICAL:
 IMPEDANCE: 50OHM
 FREQUENCY RANGE: DC~6 GHz
 INSERTION LOSS: .2 dB MAX.
 WORKING VOLTAGE: 2700 VRMS MAX.
 DIELECTRIC WITHSTANDING VOLTAGE: 4000 VRMS MIN. (AT SEA LEVEL)



PACKAGING:
 COMPONENT SHALL BE INDIVIDUALLY PACKAGED IN ACCORDANCE WITH L-COM SPECIFICATION PKG-00012

REGULATORY COMPLIANCE:
 RoHS, CE

UNLESS OTHERWISE SPECIFIED, DIMENSIONS ARE IN INCHES [mm] DIMENSIONAL TOLERANCES: .X = ±.1 [2.54] .XX = ±.01 [.25] .XXX = ±.005 [.13] ANGULAR TOLERANCES: ALL = ± 1°	APPROVALS	DATE		45 BEECHWOOD DRIVE NORTH ANDOVER, MA 01845
	DRAWN BY B.PUCHASKI	09/04/13		
PROJECTION 	CHECKED BY K.BURGNER	09/04/13	CATEGORY COAXIAL	
	APPROVED BY P.PESA	09/04/13	PRODUCT DESCRIPTION 7/16 DIN FEMALE CRIMP CONNECTOR FOR LMR600	
COLOR VARIATIONS MAY OCCUR	SIZE A	FSCM NO. 43321	DWG. NO. ADF-1600	REV. B
SCALE: NONE		CAD FILE: ADF-1600.SLDDRW		SHEET 1 OF 1