

6

5

4

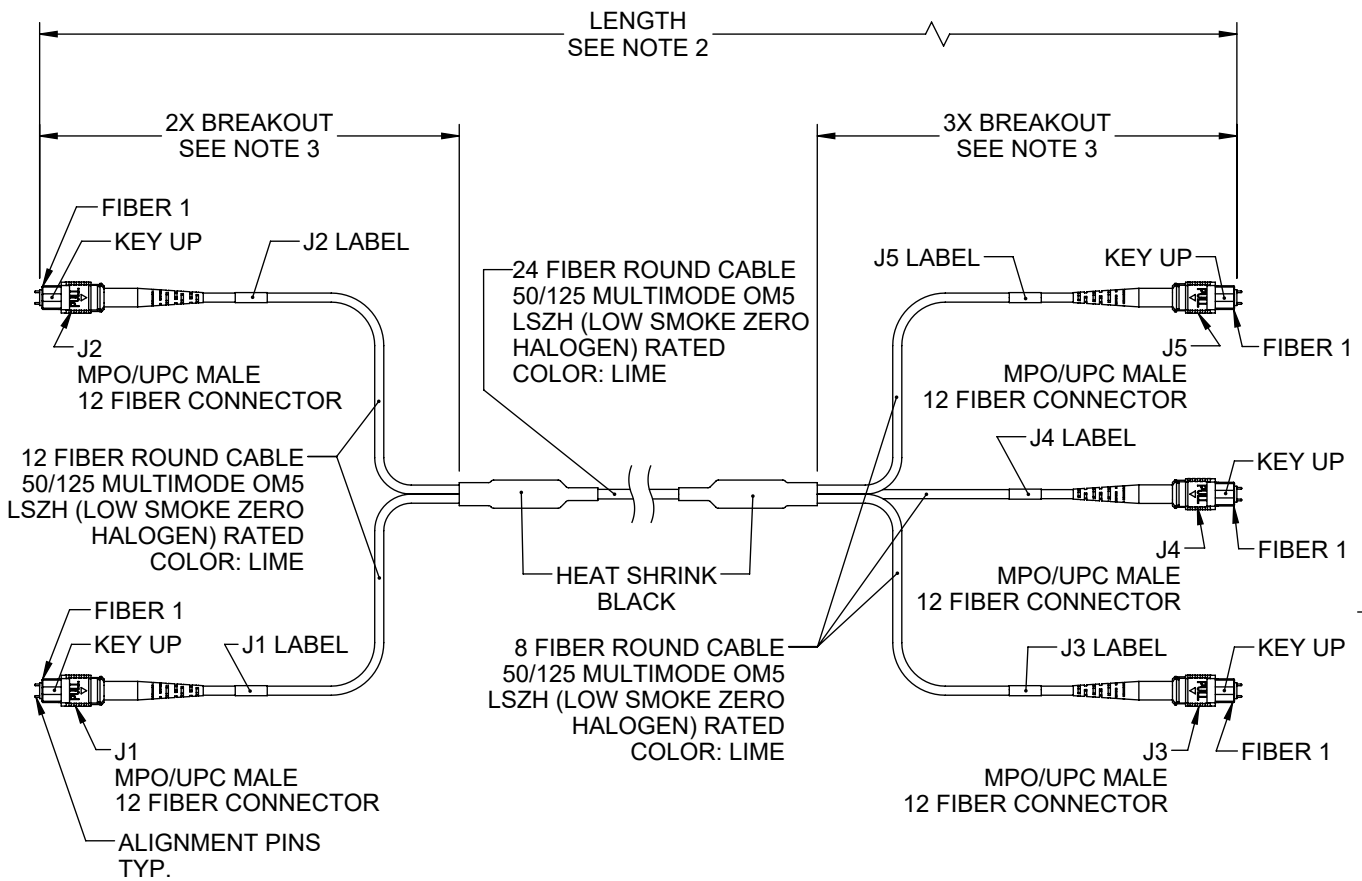
3

2

1

REVISION					
ZONE	REV	DESCRIPTION	DATE	CHANGED BY	APPROVED
	B	ECO-15269	3/11/2026	HBAKKE	REVANGELIS

WIRING MAP					
J1	J2	COLOR	J3	J4	J5
1		BLUE	12		
2		ORANGE	11		
3		GREEN	10		
4		BROWN	9		
5		GRAY		12	
6		WHITE		11	
7		RED		10	
8		BLACK		9	
9		YELLOW			12
10		PURPLE			11
11		ROSE			10
12		AQUA			9
1	BLUE/BLACK		4		
2	ORANGE/BLACK		3		
3	GREEN/BLACK		2		
4	BROWN/BLACK		1		
5	GRAY/BLACK			4	
6	WHITE/BLACK			3	
7	RED/BLACK			2	
8	BLACK / WHITE			1	
9	YELLOW/BLACK				4
10	PURPLE/BLACK				3
11	ROSE/BLACK				2
12	AQUA/BLACK				1



NOTES:

- ALL CONNECTORS SUPPLIED WITH A DUST CAP INSTALLED (NOT SHOWN).
- CABLE ASSEMBLY LENGTH DETERMINED BY ITEM PN AND DESCRIPTION.
- BREAKOUT LENGTH:
12.0 [305] FOR CABLE ASSEMBLY LENGTH ≤39.37 [1000], AND
24.0 [610] FOR CABLE ASSEMBLY LENGTH >39.37 [1000].
- CABLE ASSEMBLY SHALL BE TESTED FOR CONTINUITY.
- CABLE ASSEMBLY SHALL BE INDIVIDUALLY PACKAGED IAW L-COM SPECIFICATION PS-0031.

THE INFORMATION CONTAINED IN THIS DRAWING IS THE SOLE PROPERTY OF INFINITE ELECTRONICS, INC. ANY REPRODUCTION IN PART OR WHOLE WITHOUT THE WRITTEN PERMISSION OF INFINITE ELECTRONICS, INC. IS PROHIBITED. THESE COMMODITIES, TECHNOLOGY OR SOFTWARE WERE EXPORTED FROM THE UNITED STATES IN ACCORDANCE WITH THE EXPORT ADMINISTRATION REGULATIONS. DIVERSION CONTRARY TO U.S. LAW PROHIBITED.

UNLESS OTHERWISE SPECIFIED LEADING DIMENSIONS ARE INCHES DIMENSIONS IN [] ARE MILLIMETERS

TOLERANCES:

X = ±.2 [5]	FRACTIONS ± 1/32
.XX = ±.02 [0.5]	ANGLES ± 1°
.XXX = ±.005 [0.13]	

CABLE LENGTH TOLERANCES:

≤12 [305]	= +1 [25] / -0
>12 [305] ≤ 60 [1524]	= +2 [51] / -0
>60 [1524] ≤ 120 [3048]	= +4 [102] / -0
>120 [3048] ≤ 300 [7620]	= +6 [152] / -0
>300 [7620]	= +5% / -0

CABLE LENGTH TOL IAW IPC A-620

ALL DIMENSIONS ARE FOR REFERENCE ONLY AND SUBJECT TO CHANGE WITHOUT NOTICE UN-DIMENSIONED/NON-CRITICAL FEATURES MAY VARY IN SIZE AND LOCATION COLORS MAY VARY



L-com
an INFINITE company

Website: www.L-com.com
Phone: 1.800.341.5266 | 1.978.682.6936



INTERPRET ALL DIMENSIONS AND TOLERANCES PER ASME Y14.5

SCALE	SHEET
NONE	1 OF 1

DESCRIPTION

3XMPO8 W/ PINS TO 2XMPO12 W/ PINS, OM5 50/125µm MULTIMODE, LSZH JACKET, LIME

SIZE	CAGE CODE	DRAWN BY	ITEM NO.	REV
A	43321	DZINN	MPM308-MPM212OM5Z	B

6

5

4

3

2

1