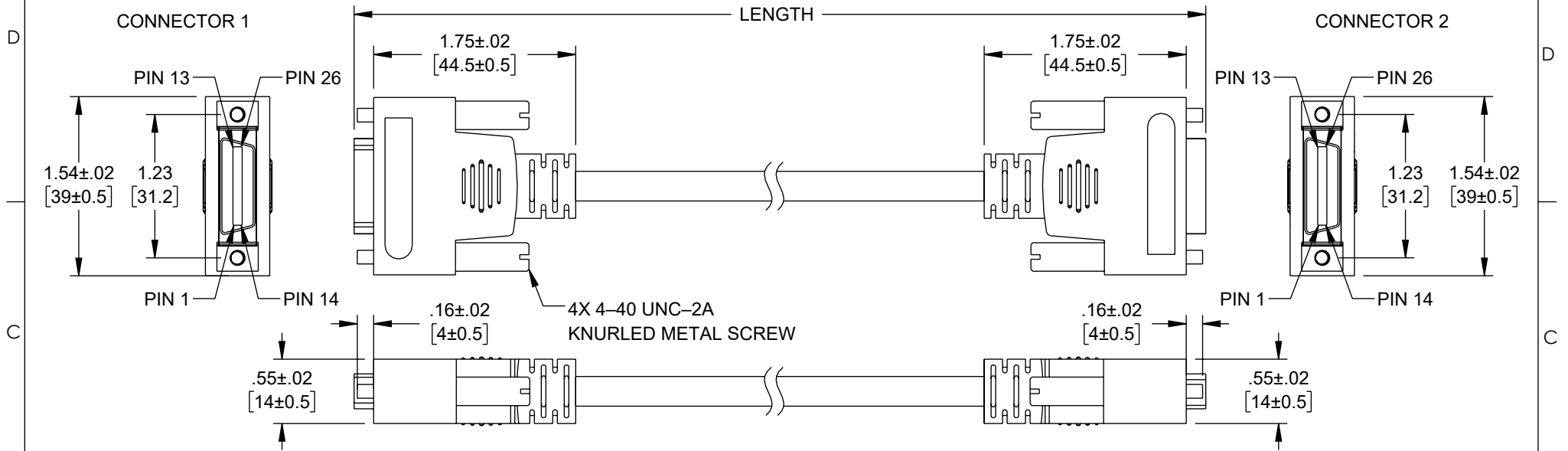


THE INFORMATION CONTAINED IN THIS DRAWING IS THE SOLE PROPERTY OF L-COM, INC. ANY REPRODUCTION IN PART OR WHOLE WITHOUT THE WRITTEN PERMISSION OF L-COM, INC. IS PROHIBITED.

REVISION					
ZONE	REV	DESCRIPTION	DATE	CHANGED BY	APPROVED
	A	INITIAL RELEASE	07/06/2023	SREITER	GUTTADAURO




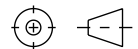
CONNECTOR 1 CONNECTOR 2 MDR26 MALE CONNECTOR

PIN 1	RED	PIN 1
PIN 14	GND1	PIN 14
PIN 2	BLACK	PIN 25
PIN 15	PINK	PIN 12
PIN 3	PINK	PIN 24
PIN 16	WHITE	PIN 11
PIN 4	BLUE	PIN 23
PIN 17	BLACK	PIN 10
PIN 5	WHITE	PIN 22
PIN 18	BROWN	PIN 9
PIN 6	BLACK	PIN 21
PIN 19	ORANGE	PIN 8
PIN 7	GREEN	PIN 20
PIN 20	WHITE	PIN 7
PIN 8	GREEN	PIN 19
PIN 21	BLACK	PIN 6
PIN 9	WHITE	PIN 18
PIN 22	ORANGE	PIN 5
PIN 10	BLACK	PIN 17
PIN 23	BROWN	PIN 4
PIN 11	BLUE	PIN 16
PIN 24	WHITE	PIN 3
PIN 12	WHITE	PIN 15
PIN 25	BLACK	PIN 2
PIN 13	GND(2)	PIN 13
PIN 26	BLACK	PIN 26
SHELL	BRAID	SHELL

PART NO.	LENGTH	
	FEET	METERS
CLCA04-3M	9.8	3
CLCA04-5M	16.4	5

NOTES:
 1. CABLE ASSEMBLY SHALL BE TESTED FOR CONTINUITY.
 2. CABLE ASSEMBLY SHALL BE INDIVIDUALLY PACKAGED.

REGULATORY COMPLIANCE:
 EU RoHS DIRECTIVE (MOST RECENTLY RELEASED VERSION).

UNLESS OTHERWISE SPECIFIED, DIMENSIONS ARE IN INCHES [mm] OVERALL CABLE LENGTH TOLERANCE: ≤12 [305] = +1 [25] / -0 >12 [305] ≤60 [1524] = +2 [51] / -0 >60 [1524] ≤120 [3048] = +4 [102] / -0 >120 [3048] ≤300 [7620] = +6 [152] / -0 >300 [7620] = +5% / -0 ALL OTHER DIMENSIONAL TOLERANCES: .X = ± .2 [5] FRACTIONS ± 1/32 .XX = ± .02 [.5] ANGLES ± 1° .XXX = ± .005 [1.3]	APPROVALS	DATE	 50 High Street, West Mill, North Andover, MA 01845 USA. Phone: 1.800.341.5266 1.978.682.6936				
	DRAWN BY SREITER	07/06/2023		CATEGORY CAMERA LINK ASSEMBLY			
THIRD-ANGLE PROJECTION 	CHECKED BY DGUST	07/06/2023	PRODUCT DESCRIPTION CAMERA LINK MACHINE VISION CABLE ASSEMBLY, MDR26 MALE PLUG TO MDR26 MALE PLUG, BLACK 29AWG CABLE				
	APPROVED BY GUTTADAURO	07/06/2023	<table border="1"> <tr> <td>SIZE A</td> <td>CAGE CODE 43321</td> <td>ITEM NO. CLCA04</td> <td>REV. A</td> </tr> </table>	SIZE A	CAGE CODE 43321	ITEM NO. CLCA04	REV. A
SIZE A	CAGE CODE 43321	ITEM NO. CLCA04	REV. A				
	CONFIGURATION DETAILS OF UNDIMENSIONED FEATURES MAY VARY	COLOR VARIATIONS MAY OCCUR	SCALE: NONE CAD FILE: CLCA04-5M.SLDDRW SHEET 1 OF 1				