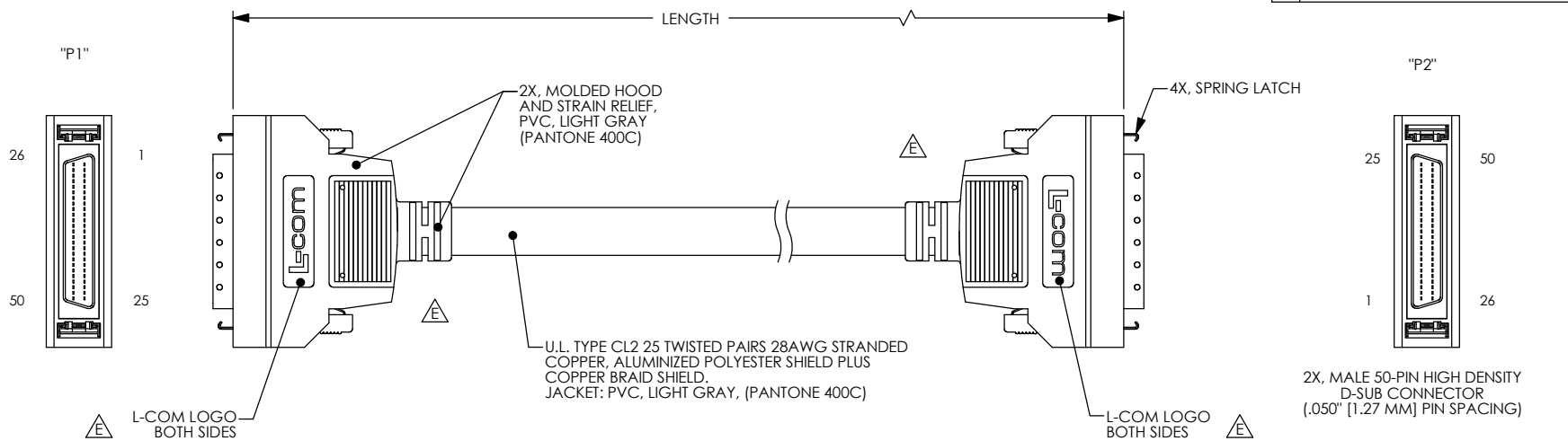


THE INFORMATION CONTAINED IN THIS DRAWING IS THE SOLE PROPERTY OF L-COM, INC. ANY REPRODUCTIONS IN PART OR WHOLE WITHOUT THE WRITTEN PERMISSION OF L-COM, INC. IS PROHIBITED.

REVISIONS			
REV	DESCRIPTION	DATE	CHANGED BY
E	ECN 6618: REVISE STRAIN RELIEF TO REPRESENT PRESENT MOLD, LOGO	1/11/13	D.FRISIELLO



WIRE MAP								
"P1"	TWISTED PAIR	"P2"	"P1"	TWISTED PAIR	"P2"	"P1"	TWISTED PAIR	"P2"
1	1	1	10	10	10	19	19	19
26	1	26	35	10	35	44	19	44
2	2	2	11	11	11	20	20	20
27	2	27	36	11	36	45	20	45
3	3	3	12	12	12	21	21	21
28	3	28	37	12	37	46	21	46
4	4	4	13	13	13	22	22	22
29	4	29	38	13	38	47	22	47
5	5	5	14	14	14	23	23	23
30	5	30	39	14	39	48	23	48
6	6	6	15	15	15	24	24	24
31	6	31	40	15	40	49	24	49
7	7	7	16	16	16	25	25	25
32	7	32	41	16	41	50	25	50
8	8	8	17	17	17	SHELL	DRAIN	SHELL
33	8	33	42	17	42			
9	9	9	18	18	18			
34	9	34	43	18	43			

2X, MALE 50-PIN HIGH DENSITY D-SUB CONNECTOR (.050" [1.27 MM] PIN SPACING)

MODEL NUMBER	LENGTH	
	(METERS)	(FEET)
CA801-05M	0.50	1.64
CA801-1M	1.00	3.28
CA801-2M	2.00	6.56
CA801-3M	3.00	9.84

- NOTES:**
- MOLDED HOODS HAVE INTERNAL 360° FOIL SHIELDS SOLDERED TO CONNECTOR FRAMES AND CABLE DRAIN WIRE.
 - CABLE ASSEMBLY MEETS REQUIREMENTS FOR SCSI-2 SYSTEMS.
 - CABLE ASSEMBLY SHALL BE TESTED FOR CONTINUITY.
 - CABLE ASSEMBLY SHALL BE INDIVIDUALLY PACKAGED IN ACCORDANCE WITH L-COM SPECIFICATION PS-0031.

RoHS Compliant ✓

UNLESS OTHERWISE SPECIFIED, DIMENSIONS ARE IN INCHES (mm) OVERALL CABLE LENGTH TOLERANCE: 1/2' (1200) = +1 (25) / -0 >1/2 (300) <= 60 (1524) = +.25 (11) / -0 >60 (1524) <= 120 (3048) = +.4 (102) / -0 >120 (3048) <= 300 (7620) = +.6 (152) / -0 >300 (7620) = +.75 / -0 ALL OTHER DIMENSIONAL TOLERANCES: .X = ±.2 .XXX = ±.02 .XXX = ±.005	APPROVALS DRAWN BY 9/19/01 CHECKED BY DPP 9/19/01 APPROVED BY CM 9/21/01	DATE 9/19/01 9/19/01 9/21/01	45 BEECHWOOD DRIVE NORTH ANDOVER, MA 01845		
	CATEGORY SCSI-2			PRODUCT DESCRIPTION HPDB50M/HPDB50M SCSI-2	
	CONFIGURATION DETAILS OF UNDIMENSIONED FEATURES MAY VARY COLOR VARIATIONS MAY OCCUR	SIZE B		PSCM NO. 43321	DWG. NO. CA801
	PROJECTION 	SCALE: 1:1 CAD FILE: CA801.3LDDRW		REV. E	SHEET 1 OF 1