

HA2401RTGXE Series Amplifier User Manual

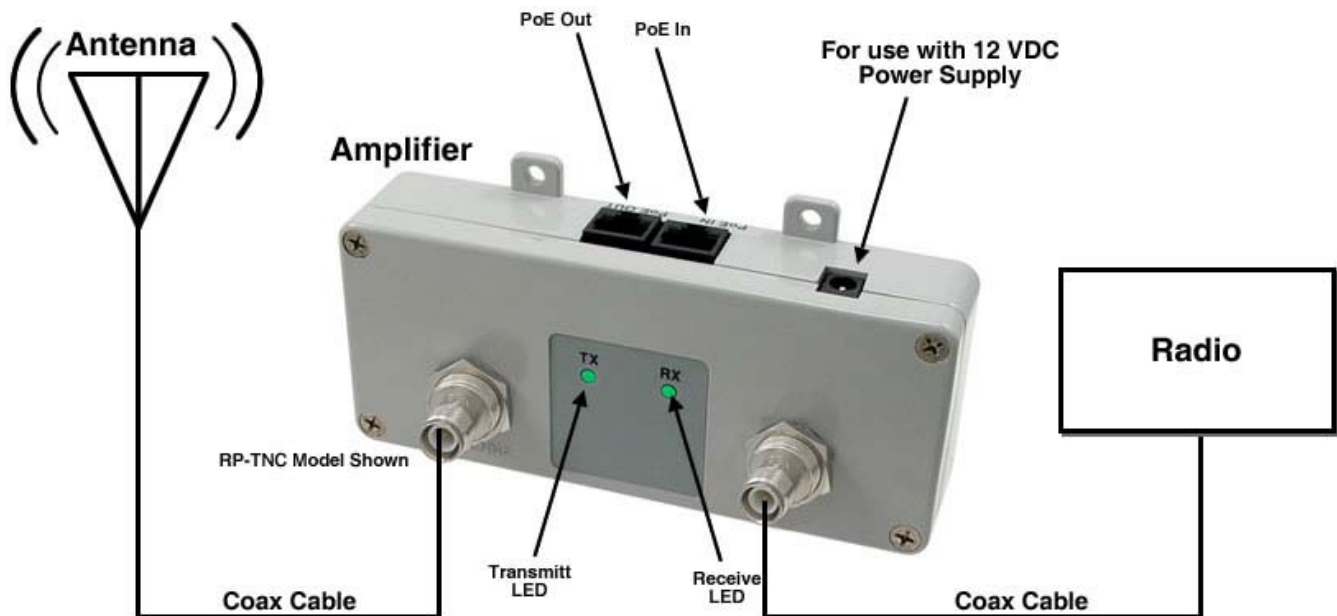
For Model Numbers: HA2401RTGXE-500/1000

FCC PART 15 NOTICE: THIS AMPLIFIER CAN BE USED ONLY IN A SYSTEM WHICH IT HAS OBTAINED AUTHORIZATION. THE AUTHORIZED SYSTEM BY FCC IDENTIFIER IS: MYF-XI-325X

This manual covers the basic mounting and installation instructions for the amplifier unit only. Please refer to the **WLKIT-GX-GXI Series Kits User Manual** or the **PC Card User Manual** for PC card and software installation instructions as well as a complete list of certified antennas and system components.

Amplifier Connections

Amplifier connections are clearly labeled on the amplifier unit as shown below.



Copyright © This drawing is property of L-com Global Connectivity. All rights reserved.

Typical PoE Amplifier Applications

Powering the Amplifier and Access Point using a Single PoE Ethernet Cable

(see application diagrams)

This application is used to provide power to the amplifier and one additional PoE device using a CAT5 Ethernet cable. Power is "Injected" into the CAT5 cable (which is carrying data only) using an injector kit. For most applications we recommend our **BT-CAT5-P1-4840** 48VDC 40Watt injector kit. From there the CAT5 Ethernet cable that now carries both power and data is attached to "PoE In" jack on the amplifier. The amplifier receives its power from this connection. Data and Power is passed to the "PoE Out" jack on the amplifier and then can be connected to an additional PoE device such as a wireless access point. Note: HyperLink's **CA-POE-02** CAT5 conversion cable is required for use with Cisco® AP's.

Powering the Amplifier using it's own Dedicated 48V PoE Line

(see application diagrams)

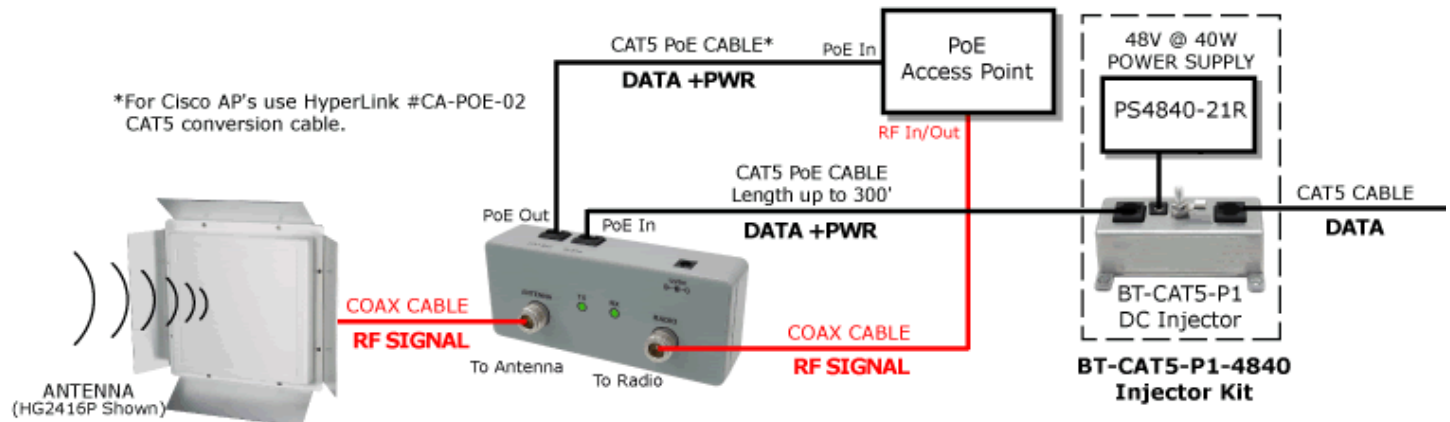
In this application the amplifier receives its power from a dedicated 48V PoE line. For this we recommend using our **PS4820-POE** 48VDC 20W Injector/Power Supply. Power is injected into a CAT5 cable which is then attached to the amplifier's "PoE In" jack. This application is ideal for remote powering of the amplifier only.

Powering the Amplifier Directly with 12VDC Power Supply or Vehicle Power

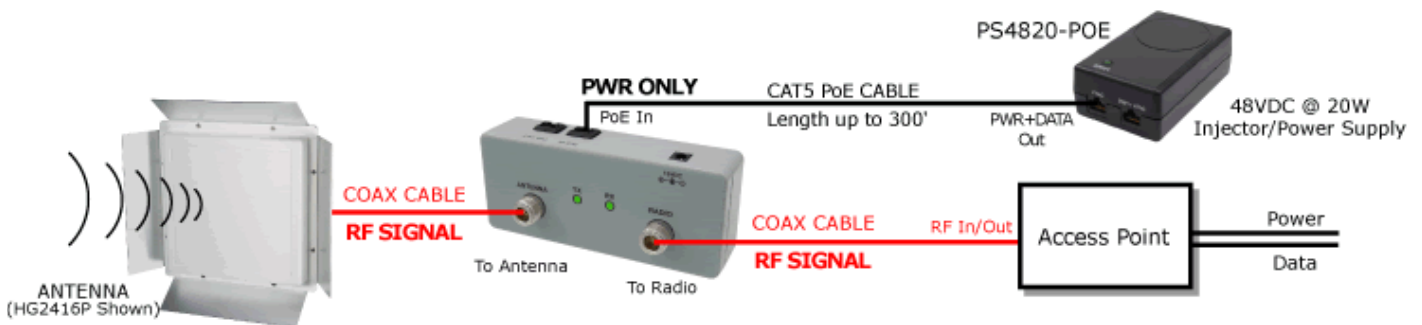
(see application diagrams)

To power the amplifier directly, we recommend using our **PS1212-21R** 12VDC 12W power supply. In mobile applications the amplifier can also be powered using our **PS-LIGHTER-06** 12VDC Vehicle Lighter Plug. Note: The PoE ports on the amplifier are not used in this application.

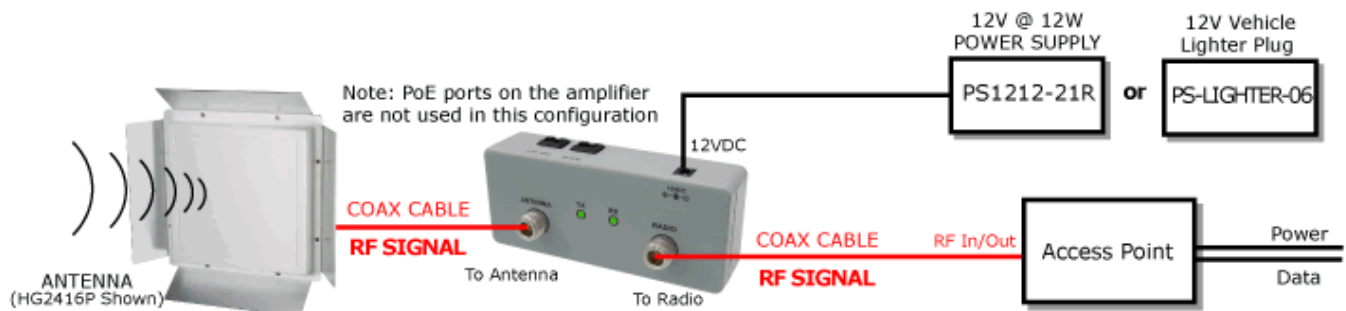
Application Diagrams



Powering the Amplifier and Access Point using a Single PoE Ethernet Cable
 This application uses the amplifier's PoE pass-through feature.



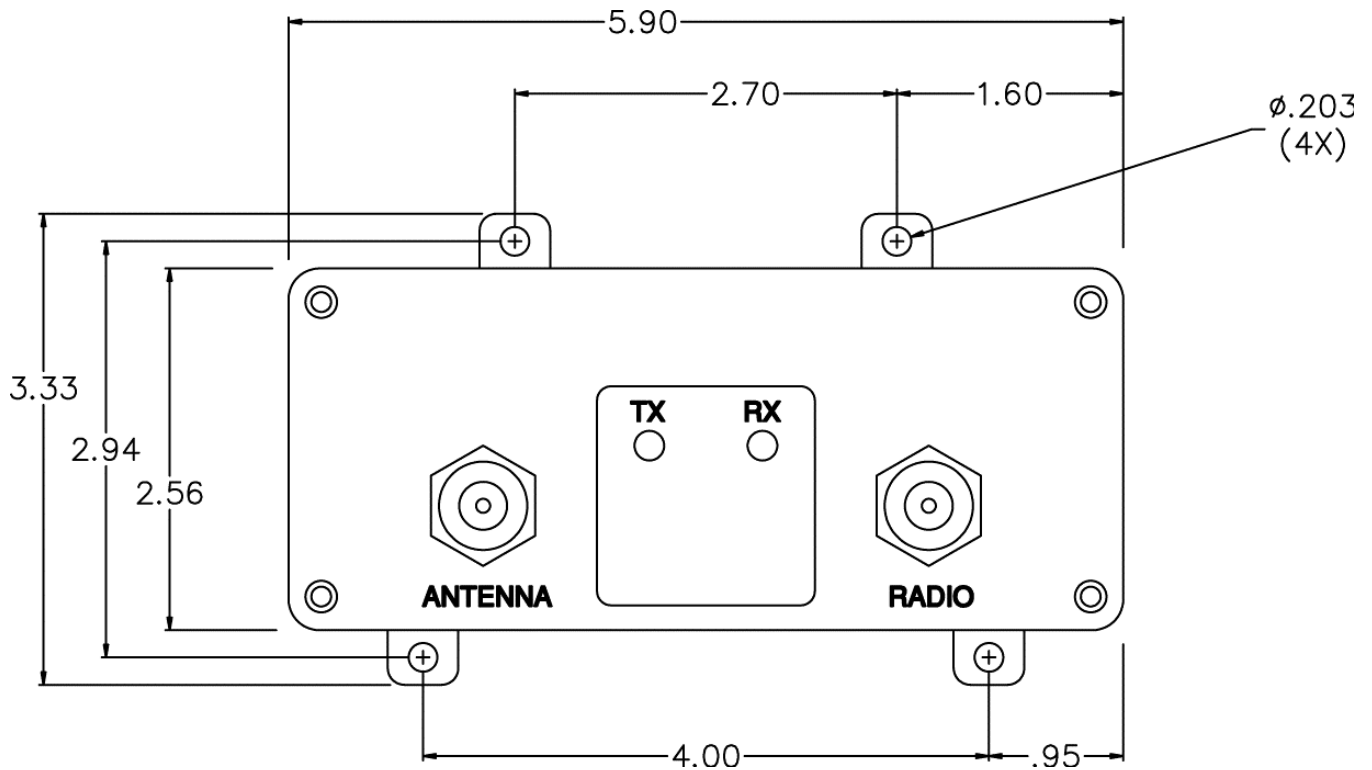
Powering the Amplifier using it's own Dedicated 48V PoE Line



Powering the Amplifier Directly with 12VDC Power Supply or Vehicle Power

Mounting the Amplifier

The HyperAmp HA2401RTGXE Series Amplifiers are designed to be installed indoors or in weather-resistant enclosures such as HyperLink's Weatherproof enclosures. Mounting feet are provided on the amplifier (see below).



Copyright © This drawing is property of L-com Global Connectivity. All rights reserved.

Operation of Amplifier LEDs

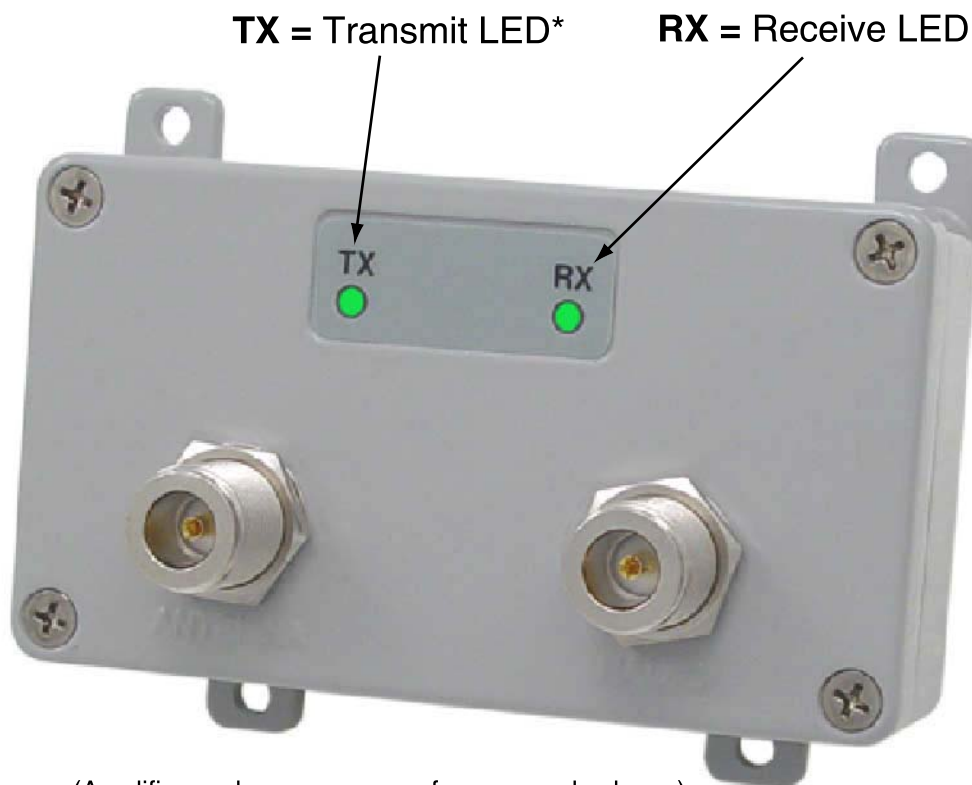
All HyperGain amplifiers have two LEDs visible on the enclosure.

The LED marked **TX** indicates that the amplifier is transmitting a signal. This LED will flash during such operation.

The LED marked **RX** indicates that the amplifier is receiving a signal. This LED will flash during such operation.

When the amplifier is transmitting and receiving signals at the same time, both LEDs will flash.

*Note: Some amplifier models have a **red** TX LED for extra visibility. A flashing red LED **does not** indicate a fault.



(Amplifier enclosure may vary from example shown)