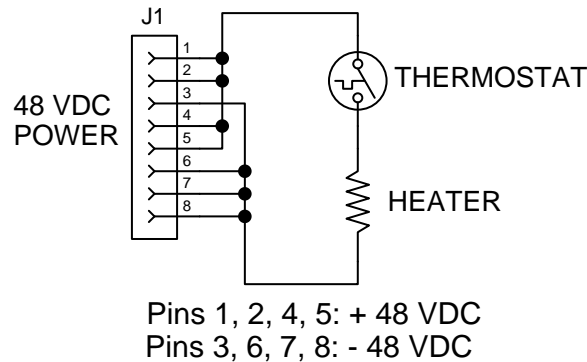


The Hyperlink NB141207-4H0 Sub-Zero NEMA enclosure uses a proprietary wiring pin out. The RJ-45 connectors on the NB141207-4H0 Sub-Zero NEMA enclosure or the Hyperlink Sub-Zero DC power injector, should never be connected to any other manufacturers equipment. Hyperlink Technologies, Inc. is not liable for any damage done to incompatible equipment due to misuse of the Hyperlink Sub-Zero NEMA equipment.

MOUNTING PLATE DIAGRAM - NB141207-4H0



Hyperlink Sub Zero NEMA Cable Specification

The Hyperlink NB141207-4H0 Sub-Zero NEMA enclosure can use CAT5 cabling wired to meet either EIA 568-A or EIA 568-B specifications. Failure to use the proper cable, or one incorrectly fabricated, could result in a short of the 48 Volt DC power that is fed through the cable from the injector to the NEMA enclosure. Use of improper cables is not covered by the products warranty.

CAT5 (EIA 568-B) Cable

Connector #1	Connector #2
1 WHT/ORG	1 WHT/ORG
2 ORG	2 ORG
3 WHT/GRN	3 WHT/GRN
4 BLU	4 BLU
5 WHT/BLU	5 WHT/BLU
6 GRN	6 GRN
7 WHT/BRN	7 WHT/BRN
8 BRN	8 BRN

CAT5 (EIA 568-A) Cable

Connector #1	Connector #2
1 WHT/GRN	1 WHT/GRN
2 GRN	2 GRN
3 WHT/ORG	3 WHT/ORG
4 BLU	4 BLU
5 WHT/BLU	5 WHT/BLU
6 ORG	6 ORG
7 WHT/BRN	7 WHT/BRN
8 BRN	8 BRN