

Contents:

**1 piece**

## **Installation Instructions for HSE-Grounding kit**

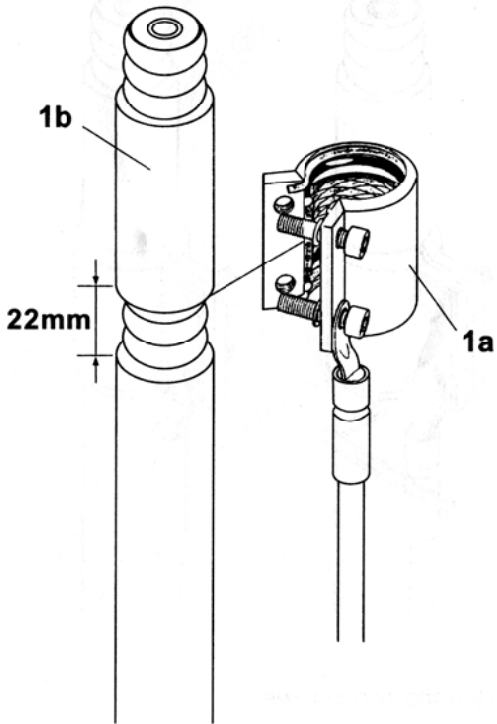
For installation notes see the  
following pages

This instruction is written for qualified and experienced personnel. Please read it carefully before starting work. Any liability or responsibility for the result of improper or unsafe installation is disclaimed!

**1 The kit contains:**

- 1x Grounding kit body with contact surface
- 2x Screw M6 DIN 912
- 1x Butyl sealing rope covered with paper
- 1x Grounding wire

1

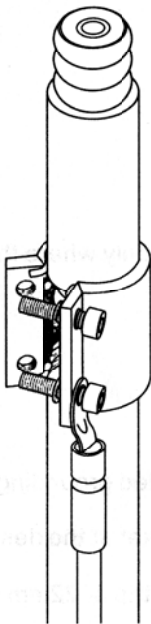


**1 Attention!**

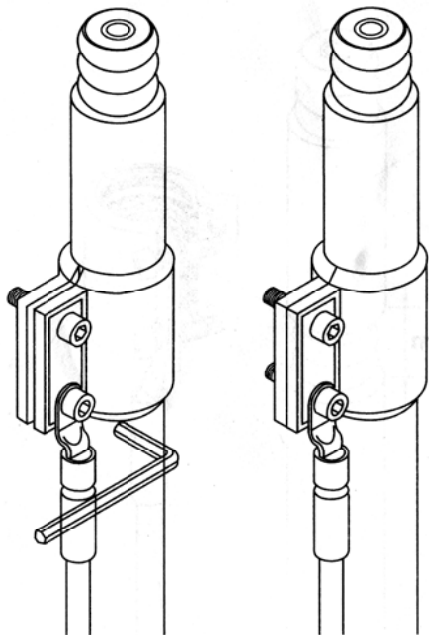
Install grounding kit only where the cable runs straight.

**Fig.1a.** Preassembled grounding kit

clean the plastic jacket at the desired grounding point and cut out a strip of 22mm with aid of stripping tool(Option) **Fig.1b**



- 3 Remove covering paper from butyl sealing. Wrap the grounding kit body round the cable and align it.**



4 Tighten the two screws.