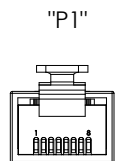
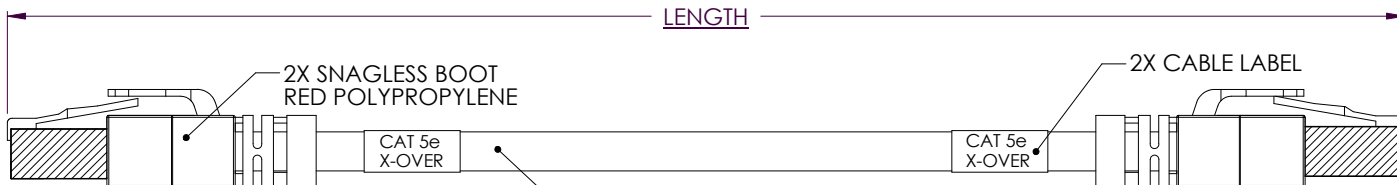


THE INFORMATION CONTAINED IN THIS DRAWING IS THE SOLE PROPERTY OF L-COM, INC. ANY REPRODUCTION IN PART OR WHOLE WITHOUT THE WRITTEN PERMISSION OF L-COM, INC. IS PROHIBITED.

REVISIONS			
REV	DESCRIPTION	DATE	APPROVED
A	RELEASED FOR PRODUCTION	01/03/02	MCCORMICK
B	ECN1533: UPGRADED CABLE. ADDED LABELS. ADDED PROD. VALIDATION	10/1/03	D. PARHAM
C	ECN1696: ADDED COMPONENT SPECIFICATION TABLE	3/11/04	D. PARHAM
D	ECN#2281: UPDATED DRAWING FORMAT	12/28/05	D. PARHAM



2X RJ45 SHIELDED PLUG
UL94V-0 POLYCARBONATE
CONTACTS: 50 μINCHES GOLD PLATING
SHIELD: NICKEL PLATED BRASS
CONFORMS TO FCC REGULATION 68.5 SUBPART F



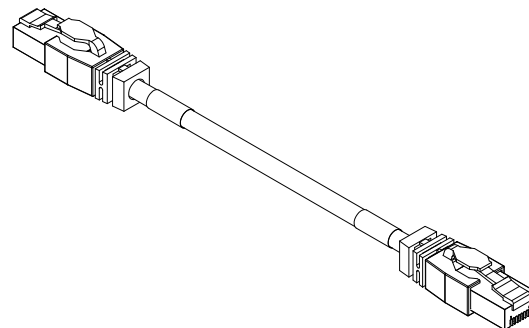
CABLE: CAT 5e, 2 TWISTED PAIRS, 26 AWG STRANDED COPPPER CONDUCTORS WITH ALUMINIZED POLYESTER SHIELD
JACKET: GRAY PVC

WIRING MAP		
"P1"	WIRE COLOR	"P2"
1	WHITE/ORANGE	3
2	ORANGE	6
3	WHITE/GREEN	1
6	GREEN	2
SHELL	DRAIN	SHELL

TABLE A	
MODEL	LENGTH
	FEET
TRD855XCR-2	2.0
TRD855XCR-3	3.0
TRD855XCR-5	5.0
TRD855XCR-7	7.0
TRD855XCR-10	10.0
TRD855XCR-15	15.0
TRD855XCR-25	25.0
TRD855XCR-50	50.0
TRD855XCR-75	75.0
TRD855XCR-100	100.0

NOTES:

- 1.0 **ELECTRICAL:**
 - 1.1 CABLE ASSEMBLY IS CATEGORY 5e QUALIFIED.
- 2.0 **PACKAGING:**
 - 2.1 THE PRODUCT SHALL BE PRESERVED & PACKAGED IN A MANNER WHICH WILL AFFORD ADEQUATE PROTECTION AGAINST CORROSION, DETERIORATION, AND PHYSICAL DAMAGE DURING SHIPMENT.
 - 2.2 INDIVIDUALLY PACKAGE EACH ASSEMBLY UTILIZING APPROPRIATE SIZED BAG DEPICTED ON [LAN01-001-OD1](#) . MARK EACH BAG PER [LSP-010-1](#).
- 3.0 **WORKMANSHIP**
 - 3.1 CABLE ASSEMBLIES SHALL BE MANUFACTURED IN SUCH A MANNER AS TO BE UNIFORM IN QUALITY AND SHALL BE FREE FROM BURRS, CRAZING, CRACKS, VOIDS, PIMPLES, CHIPS, BLISTERS, PINHOLES, SHARP CUTTING EDGES, AND OTHER DEFECTS THAT WILL ADVERSELY AFFECT LIFE, SERVICEABILITY, OR APPEARANCE.
- 4.0 **VISUAL AND MECHANICAL**
 - 4.1. CABLE ASSEMBLIES SHALL BE INSPECTED TO VERIFY COMPLIANCE TO THIS DRAWING.
- 5.0 **ENVIRONMENTAL**
 - 5.1 OPERATING TEMPERATURE RANGE: -20°C TO +60°C



UNLESS OTHERWISE SPECIFIED, DIMENSIONS ARE IN INCHES
TOLERANCES ARE:
X ±.1
XX ±.05
XXX ±.005
CABLE LENGTH TOLERANCE
<300" ±5% >300" ±2%

APPROVALS	DATE
DRAWN BY MCCORMICK	12/27/01
CHECKED BY D. PARHAM	12/27/01
APPROVED BY R. CARRICK	12/27/01

CONFIGURATION DETAILS OF UNDIMENSIONED FEATURES MAY VARY

		45 BEECHWOOD DRIVE NORTH ANDOVER, MA 01845	
PRODUCT DESCRIPTION CBL RJ45 SHLD X-OVER CAT5E			
DRAWING TITLE OUTLINE DRAWING			
SIZE A	FSCM NO. 43321	DWG. NO. TRD855XCR-2-OD1	REV. D
SCALE: NONE		CAD FILE: TRD855XCR-2-OD1.SLDDRW	SHEET 1 OF 1