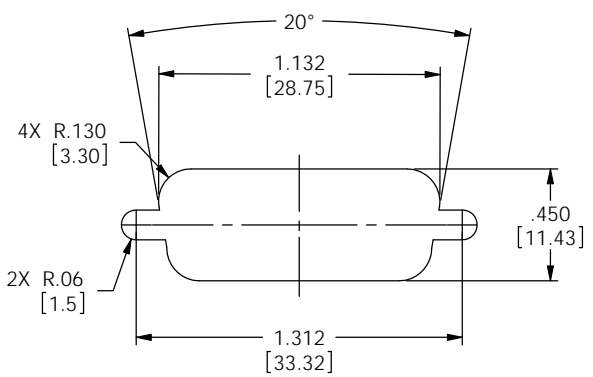


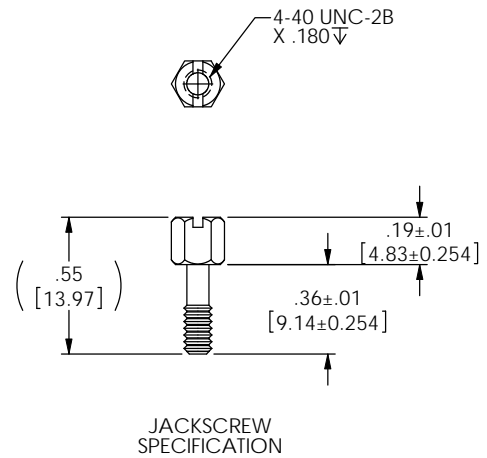
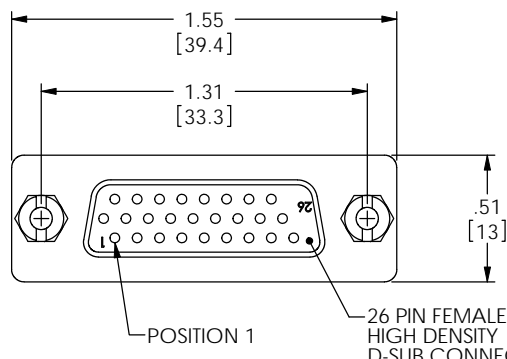
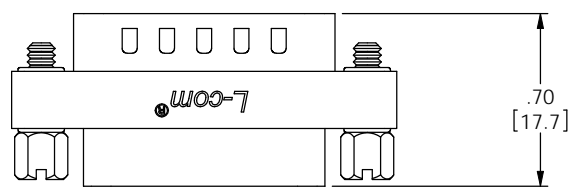
THE INFORMATION CONTAINED IN THIS DRAWING IS THE SOLE PROPERTY OF L-COM, INC. ANY REPRODUCTIONS IN PART OR WHOLE WITHOUT THE WRITTEN PERMISSION OF L-COM, INC. IS PROHIBITED.

REVISIONS			
REV	DESCRIPTION	DATE	CHANGED BY
F	ECN 4564-ADDED PINS, UPDATED DRAWING AND NEW FORMAT	3/2/10	D.FRISIELLO
G	ECN 5937-ADDED NOISE FOR PANEL MOUNTING	1/24/12	D.FRISIELLO



RECOMMENDED PANEL OPENING
(MAX PANEL THICKNESS: 0.06")

NOTE: DIFFERENT STANDOFFS AND JACK SCREWS ARE REQUIRED FOR PANEL MOUNTING. SEE WWW.L-COM.COM OR MASTER CATALOG FOR DETAILS.



JACKSCREW SPECIFICATION

NOTES:

MATERIAL:
SHELL: STEEL
CONTACTS: COPPER ALLOY
HARDWARE: BRASS
INSULATOR: PBT FIBER REINFORCED (UL94V-0 RATED)

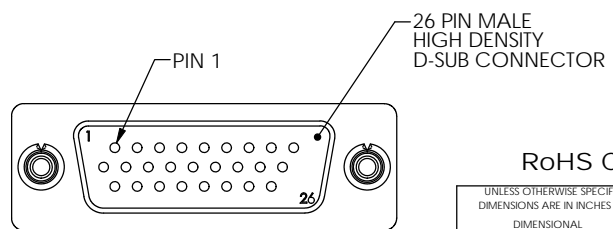
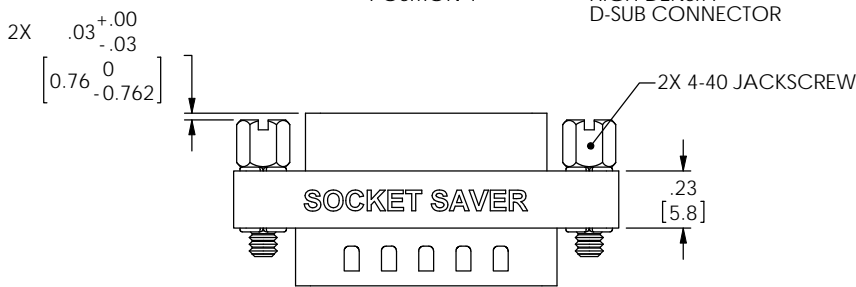
FINISH:
SHELL: TIN/NICKEL PLATED
CONTACTS: GOLD FLASH PLATED
HARDWARE: NICKEL PLATED

ELECTRICAL:
CURRENT RATING: 3 AMP

MISCELLANEOUS:
OPERATING TEMPERATURE RANGE: -55°C TO +105°C.
ALL CONTACTS ARE WIRED STRAIGHT THROUGH.
COMPONENT SHALL BE TESTED FOR CONTINUITY.

LABELING:
PANTONE 2945 BLUE. "L-COM" FONT MyriaMM ITALIC.
"GENDER CHANGER" FONT ARIAL BOLD, TEXT HEIGHTS: .085"
TEXT COLOR: WHITE.

PACKAGING:
COMPONENT SHALL BE INDIVIDUALLY PACKAGED IN ACCORDANCE WITH L-COM SPECIFICATION PS-0031.



RoHS Compliant ✓

UNLESS OTHERWISE SPECIFIED, DIMENSIONS ARE IN INCHES (mm)	APPROVALS	DATE
DIMENSIONAL TOLERANCES: .X = ±.1 .XX = ±.01 .XXX = ±.005	DRAWN BY D.PARIAM	11/08/2001
ANGULAR TOLERANCES: ALL = ±1°	CHECKED BY T.CLARK	11/08/2001
	APPROVED BY R.CARRICK	11/08/2001
PROJECTION	CONFIGURATION DETAILS OF UNDIMENSIONED FEATURES MAY VARY	
	COLOR VARIATIONS MAY OCCUR	

L-com Global Connectivity		45 BEECHWOOD DRIVE NORTH ANDOVER, MA 01845	
CATEGORY: D-SUBMINIATURE			
PRODUCT DESCRIPTION: SOCKET SAVER, HD26 FEMALE/MALE			
SIZE: B	FSCM NO.: 43321	DWG. NO.: DGBH26MF	REV.: G
SCALE: 2:1		CAD FILE: DGBH26MF.SLDORW	SHEET 1 OF 1