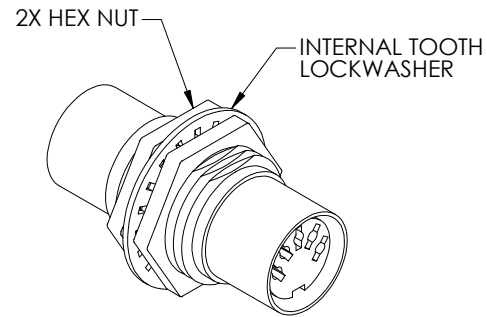
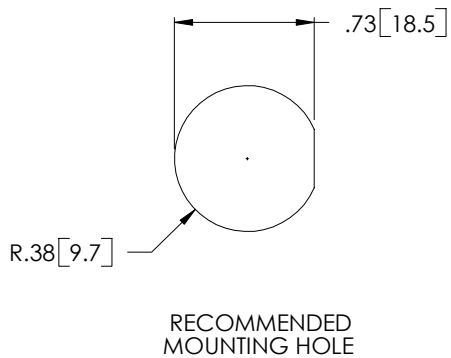
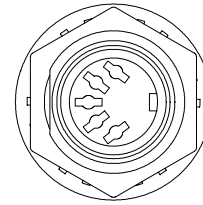
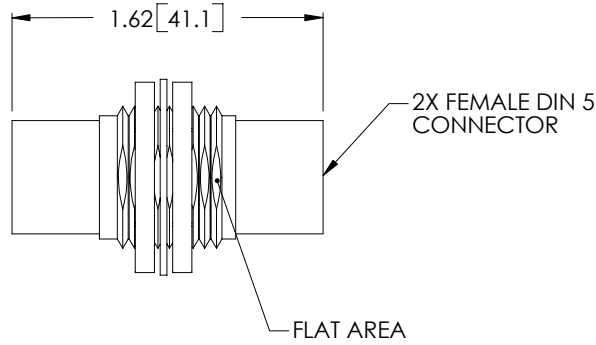
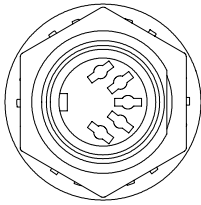


THE INFORMATION CONTAINED IN THIS DRAWING IS THE SOLE PROPERTY OF L-COM, INC. ANY REPRODUCTION IN PART OR WHOLE WITHOUT THE WRITTEN PERMISSION OF L-COM, INC. IS PROHIBITED.

REVISIONS			
REV	DESCRIPTION	DATE	APPROVED
A	RELEASED FOR PRODUCTION	09/06/01	MCCORMICK
.	.	.	.
.	.	.	.
.	.	.	.



NOTES:  
1. ADAPTER IS WIRED STRAIGHT THROUGH

UNLESS OTHERWISE SPECIFIED,  
DIMENSIONS ARE IN INCHES  
TOLERANCES ARE:  
.X ±.1  
.XX ±.05  
.XXX ±.005  
CABLE LENGTH TOLERANCE  
<300" ±5% >300" ±2%

APPROVALS	DATE
DRAWN MCCORMICK	09/05/01
CHECKED ENG	09/05/01
APPROVED BY R.CARRICK	09/06/01

CONFIGURATION DETAILS OF  
UNDIMENSIONED FEATURES  
MAY VARY

**L-com**<sup>®</sup> 45 BEECHWOOD DRIVE  
CONNECTIVITY PRODUCTS NORTH ANDOVER, MA  
01845

PRODUCT DESCRIPTION  
**DIN 5 BULKHEAD ADAPTOR**

DRAWING TITLE  
**OUTLINE DRAWING**

SIZE	FSCM NO.	DWG. NO.	REV.
<b>A</b>	<b>43321</b>	<b>DD55F-OD1</b>	<b>A</b>
SCALE 1:1	CAD FILE: DD55F-OD1.SLDDRW	SHEET 1 OF 1	