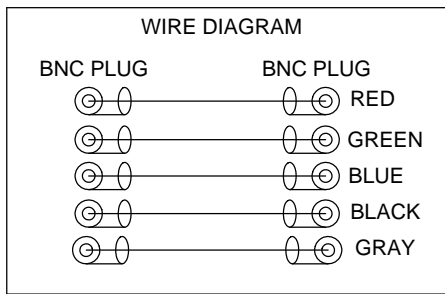
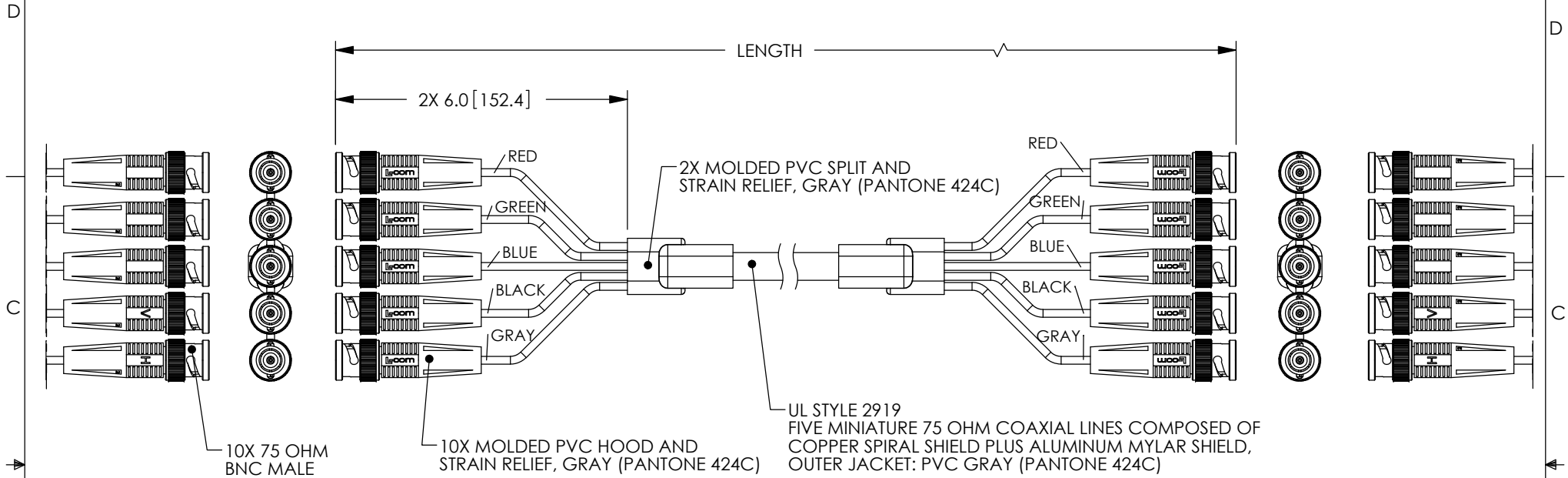


THE INFORMATION CONTAINED IN THIS DRAWING IS THE SOLE PROPERTY OF L-COM, INC. ANY REPRODUCTION IN PART OR WHOLE WITHOUT THE WRITTEN PERMISSION OF L-COM, INC. IS PROHIBITED.

RoHS Compliant ✓

REVISIONS			
REV	DESCRIPTION	DATE	APPROVED
E	ECN 4416: CN RELEASE AND NEW FORMAT	12/4/09	D.FRISIELLO
F	ECN 6519: UPATED FORMAT, PACKAGING, AND LOGOS	11/19/12	D. DESJARDIN



MODEL NUMBER	LENGTH FEET [METERS]
CTL5B-5	5.0 [1.52]
CTL5B-7.5	7.5 [2.28]
CTL5B-10	10.0 [3.05]
CTL5B-15	15.0 [4.57]
CTL5B-25	25.0 [7.62]

F

- NOTES:**
- CABLE SHALL BE TESTED FOR CONTINUITY.
 - CABLE SHALL BE INDIVIDUALLY PACKAGED IN ACCORDANCE WITH L-COM SPECIFICATION PS-0031.

A

UNLESS OTHERWISE SPECIFIED, DIMENSIONS ARE IN INCHES [mm] OVERALL CABLE LENGTH TOLERANCE: ≤12 [305] = +1 [25] / -0 >12 [305] ≤60 [1524] = +2 [51] / -0 >60 [1524] ≤120 [3048] = +4 [102] / -0 >120 [3048] ≤300 [7620] = +6 [152] / -0 >300 [7620] = +3% / -0%	APPROVALS	DATE		45 BEECHWOOD DRIVE NORTH ANDOVER, MA 01845
	DRAWN BY Bill_Zhang	12/04-09		CATEGORY
ALL OTHER DIMENSIONAL TOLERANCES: .X = ± .2 .XX = ± .02 .XXX = ± .005	CHECKED BY Frank_Mao	12/04-09	PRODUCT DESCRIPTION	CA RGB 5 COAX BNC M/M
PROJECTION	CONFIGURATION DETAILS OF UNDIMENSIONED FEATURES MAY VARY	APPROVED BY Thomas_Lu	SIZE	FSCM NO. 43321
	COLOR VARIATIONS MAY OCCUR	12/04-09	DWG. NO.	CTL5B-5
			SCALE: NONE	CAD FILE: CTL5B-5.SLDDRW
				SHEET 1 OF 1