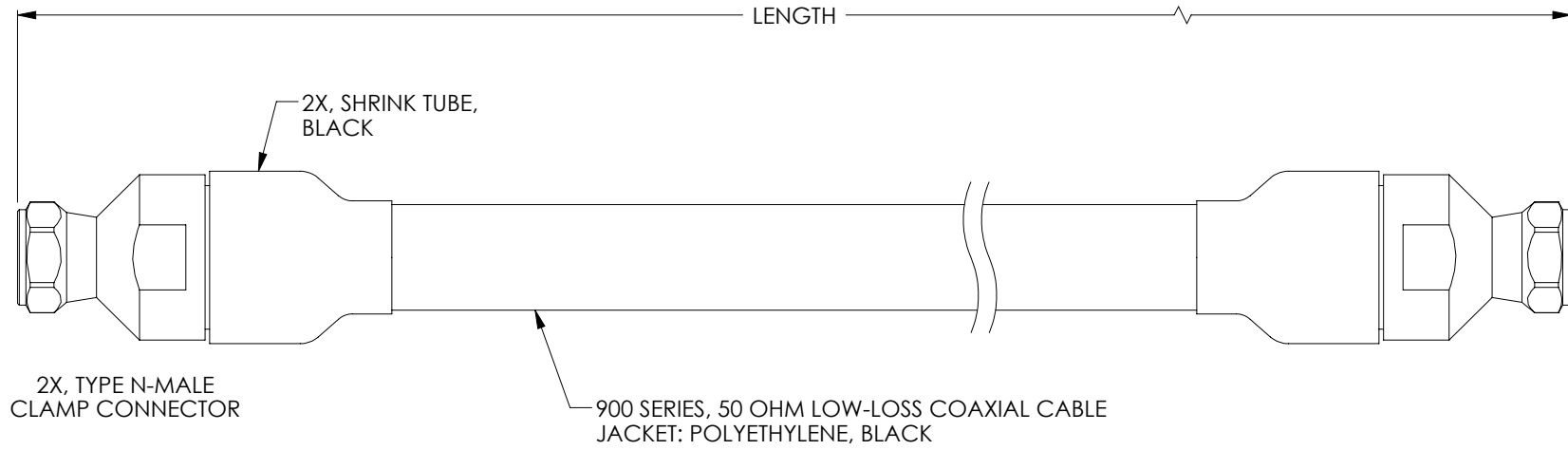


THE INFORMATION CONTAINED IN THIS DRAWING IS THE SOLE PROPERTY OF L-COM, INC. ANY REPRODUCTION IN PART OR WHOLE WITHOUT THE WRITTEN PERMISSION OF L-COM, INC. IS PROHIBITED.

REVISIONS			
REV	DESCRIPTION	DATE	APPROVED
A	INITIAL RELEASE	7/17/12	D.GRIFFIN



LENGTH CODE CHART		
CABLE# & LENGTH	LENGTH SYMBOL	EXAMPLES OF PART# USED
CA-9NMNMXXX	WHERE XXX = LENGTH IN FEET	CA-9NMNM010 (10 FEET)
CA-9NMNMNXX	WHERE NXX = LENGTH IN INCHES	CA-9NMNMN16 (16 INCHES)
CA-9NMNMXX	WHERE MXX = LENGTH IN METERS	CA-9NMNM07 (7 METERS)
CA-9NMNMXXM	WHERE XM = LENGTH IN DECIMAL METERS	CA-9NMNM3M5 (3.5 METERS)

**RoHS Compliant** ✓

- NOTES:
1. CABLE ASSEMBLY SHALL BE TESTED FOR CONTINUITY.
  2. CABLE ASSEMBLY SHALL RECEIVE INSERTION LOSS TEST PER L-COM SPECIFICATIONS.
  3. CABLE ASSEMBLY SHALL BE INDIVIDUALLY PACKAGED IN ACCORDANCE WITH L-COM SPECIFICATION PS-0031.

UNLESS OTHERWISE SPECIFIED, DIMENSIONS ARE IN INCHES [mm] OVERALL CABLE LENGTH TOLERANCE: $\leq 12$ [305] = +1 [25] / -0 $> 12$ [305] $\leq 60$ [1524] = +2 [51] / -0 $> 60$ [1524] $\leq 120$ [3048] = +4 [102] / -0 $> 120$ [3048] $\leq 300$ [7620] = +6 [152] / -0 $> 300$ [7620] = +3% / -0% ALL OTHER DIMENSIONAL TOLERANCES: .X = ± .2 .XX = ± .02 .XXX = ± .005	APPROVALS DRAWN BY D. DESJARDIN CHECKED BY P. PESA APPROVED BY P. PESA	DATE 7/12/12 7/13/12 7/13/12	45 BEECHWOOD DRIVE NORTH ANDOVER, MA 01845		
	CONFIGURATION DETAILS OF UNDIMENSIONED FEATURES MAY VARY	CATEGORY COAXIAL		PRODUCT DESCRIPTION CA,900 NM/NM	
PROJECTION 	COLOR VARIATIONS MAY OCCUR	SIZE <b>A</b>	FSCM NO. <b>43321</b>	DWG. NO. CA-9NMNM	REV. <b>A</b>
SCALE: NONE		CAD FILE: CA-9NMNM.SLDDRW		SHEET 1 OF 1	