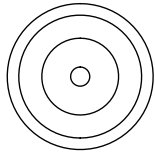
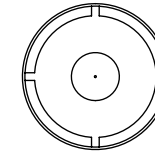
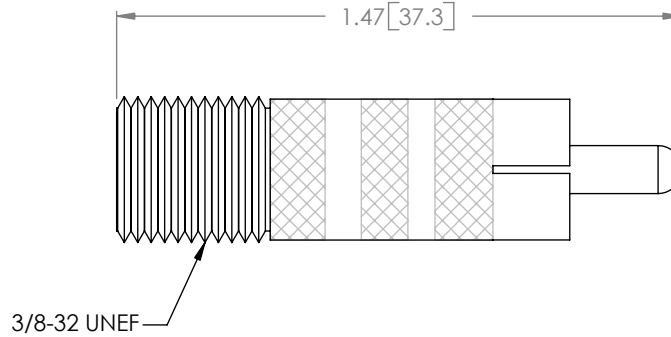


THE INFORMATION CONTAINED IN THIS DRAWING IS THE SOLE PROPERTY OF L-COM, INC. ANY REPRODUCTION IN PART OR WHOLE WITHOUT THE WRITTEN PERMISSION OF L-COM, INC. IS PROHIBITED.

REVISIONS			
REV	DESCRIPTION	DATE	CHANGED BY
A	RELEASED FOR PRODUCTION	11/20/01	MCCORMICK
B	REMOVED LENGTH OF BODY DIMENSION	9/11/02	R. CARRICK
C	ECN 3134: UPDATE DWG FORMAT	12/31/07	D.GRIFFIN



"F" JACK



RCA PHONO PLUG

NOTES:

MATERIAL: NICKEL PLATED BRASS
INSULATION: DELRIN

RoHS Compliant ✓



45 BEECHWOOD DRIVE
NORTH ANDOVER, MA
01845

UNLESS OTHERWISE SPECIFIED, DIMENSIONS ARE IN INCHES [mm] TOLERANCES TO BE: .X ±.1 [2.5] ANGLES ±2° .XX ±.01 [.25] .XXX ±.005 [.13] OVERALL CABLE LENGTH TOL: ≤ 60 [1524] +3 [76.2] / -0 > 60 [1524] +5% / -0%	APPROVALS	DATE	CATEGORY COAXIAL PRODUCT DESCRIPTION "F" JACK TO RCA PLUG
	DRAWN BY MCCORMICK	11/20/01	
	CHECKED BY D.PARHAM	11/20/01	
	APPROVED BY R.CARRICK	11/20/01	
PROJ	CONFIGURATION DETAILS OF UNDIMENSIONED FEATURES MAY VARY		SIZE A FSCM NO. 43321 DWG. NO. BA907 REV. C
SCALE: NONE			CAD FILE: BA907.SLDDRW
			SHEET 1 OF 1