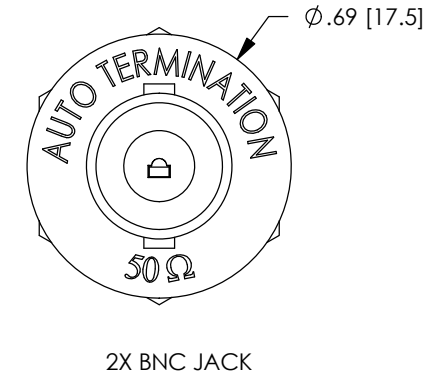
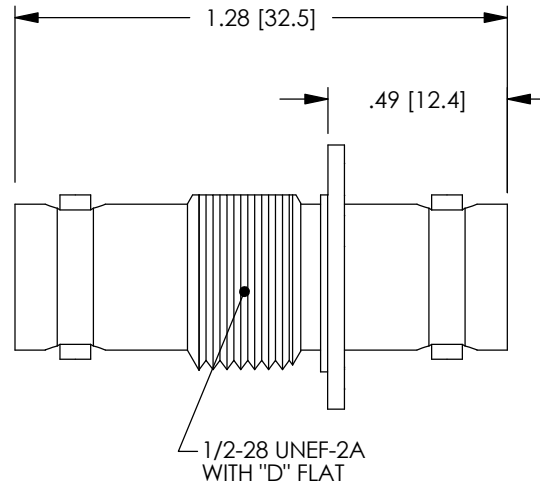
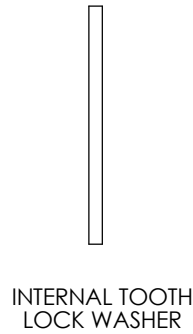
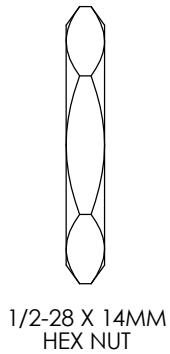


THE INFORMATION CONTAINED IN THIS DRAWING IS THE SOLE PROPERTY OF L-COM, INC. ANY REPRODUCTION IN PART OR WHOLE WITHOUT THE WRITTEN PERMISSION OF L-COM, INC. IS PROHIBITED.

REVISIONS			
REV	DESCRIPTION	DATE	APPROVED
A	RELEASED FOR PRODUCTION	5/31/02	TJC
B	ECN# 1605: ADDED COMPONENT SPECIFICATION TABLE	12/12/03	MCCORMICK
C	ECN 3128: UPDATE DWG FORMAT	12/20/07	D.GRIFFIN
D	ECN 7450: ADDED MATERIAL CHART, REVISED ALL NOTES, FORMAT	5/21/14	D.FRISIELLO

DESCRIPTION	MATERIAL	FINISH
BODY	ZINC ALLOY	NICKEL PLATE
INSULATOR	POLYPROPYLENE	-
CENTER PIN	PHOSPHORUS BRONZE	GOLD PLATE
WASHER	BRASS	NICKEL PLATE
NUT	BRASS	NICKEL PLATE

D



D

**NOTES:**

**ELECTRICAL:**

IMPEDANCE: 50 OHM  
 FREQUENCY RANGE: 0-1 GHz  
 INSERTION LOSS: 0.2dB max

**MISCELLANEOUS:**

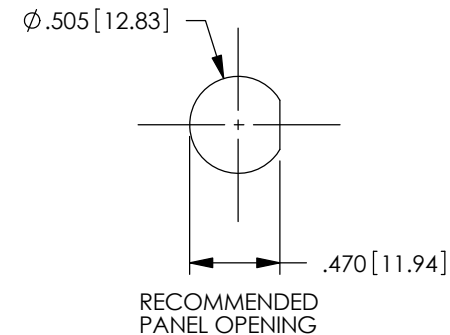
ALL DIMENSIONS ARE FOR REFERENCE ONLY.

BNC PLUGS MUST BE INSTALLED ON BOTH JACKS TO DISCONNECT 50-OHM 1/4-WATT TERMINATING RESISTOR BETWEEN OUTER SHELL AND CENTER CONDUCTOR. FOR SIGNAL LEVEL ENERGY ONLY.

COMPONENT SHALL BE INDIVIDUALLY PACKAGED IN ACCORDANCE WITH L-COM SPECIFICATION PS-0031.

**REGULATORY COMPLIANCE:**

CE2011/65/EU (RoHS DIRECTIVE)



D

UNLESS OTHERWISE SPECIFIED, DIMENSIONS ARE IN INCHES [mm] OVERALL CABLE LENGTH TOLERANCE: ≤12 [305] = +1 [25] / -0 >12 [305] ≤60 [1524] = +2 [51] / -0 >60 [1524] ≤120 [3048] = +4 [102] / -0 >120 [3048] ≤300 [7620] = +6 [152] / -0 >300 [7620] = +5% / -0% ALL OTHER DIMENSIONAL TOLERANCES: .X = ±.2 [5.08] .XX = ±.02 [51] .XXX = ±.005 [1.27]	APPROVALS TJC	DATE 5/14/02	45 BEECHWOOD DRIVE NORTH ANDOVER, MA 01845		
	CHECKED BY DFP	DATE 5/25/02		CATEGORY COAXIAL	
	APPROVED BY CM	DATE 5/28/02	PRODUCT DESCRIPTION BNC 50-OHM TERMINATED ADAPTOR		
	PROJECTION 	COLOR VARIATIONS MAY OCCUR	SIZE A	FSCM NO. 43321	DWG. NO. BA307

1AB05-107 SCALE: NONE CAD FILE: BA307.SLDDRW SHEET 1 OF 1