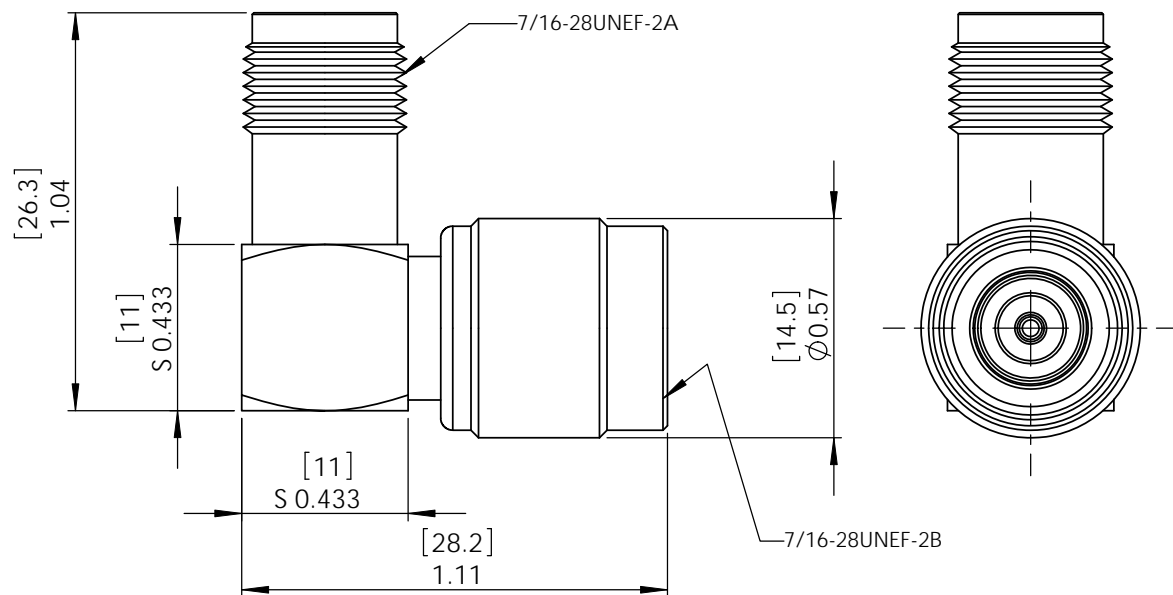
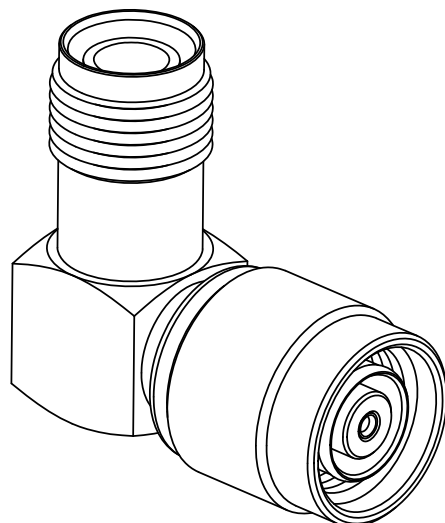
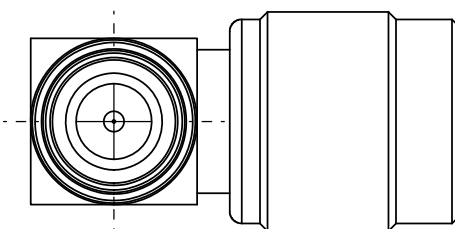


THE INFORMATION CONTAINED IN THIS DRAWING IS THE SOLE PROPERTY OF L-COM, INC. ANY REPRODUCTION IN PART OR WHOLE WITHOUT THE WRITTEN PERMISSION OF L-COM, INC. IS PROHIBITED.

REVISIONS			
REV	DESCRIPTION	DATE	APPROVED
A	Initial Release	06/22/10	B.Puchaski

DESCRIPTION	MATERIAL	FINISH
CENTER PIN-1	BRASS	GOLD
CENTER PIN-2	BRASS	GOLD
BODY-1	BRASS	NICKEL
BODY-2	BRASS	NICKEL
RETAINING RING	BRASS	NICKEL
GASKET	RUBBER	---
INSULATOR-1	PTFE	---
INSULATOR-2	PTFE	---



NOTES:

ELECTRICAL:

IMPEDENCE: 50 OHMS
 VOLTAGE RATING: 500 VOLTS PEAK
 WITHSTAND VOLTAGE: 1000V
 FREQUENCY RANGE: DC~6 GHz
 INSERTION LOSS: .2 dB MAX

RoHS Compliant

MISCELLANEOUS:

COMPONENTS SHALL BE INDIVIDUALLY PACKAGED IN ACCORDANCE WITH L-COM SPECIFICATIONS PS-0031.

ALL DIMENSIONS ARE FOR REFERENCE ONLY.

UNLESS OTHERWISE SPECIFIED, DIMENSIONS ARE IN INCHES [mm] DIMENSIONAL TOLERANCES: .X = ±.1 .XX = ±.01 .XXX = ±.005 ANGULAR TOLERANCES: ALL = ± 1° PROJECTION	APPROVALS DRAWN BY B.Puchaski CHECKED BY K.Burgner APPROVED BY K.Burgner	DATE 06/22/10 06/22/10 06/22/10	45 BEECHWOOD DRIVE NORTH ANDOVER, MA 01845
	CATEGORY CONNECTOR		PRODUCT DESCRIPTION RP-TNC Plug to RP-TNC Jack Right Angle
	CONFIGURATION DETAILS OF UNDIMENSIONED FEATURES MAY VARY		SIZE A FSCM NO. 43321 DWG. NO. AXA-RTPRTJ90 REV. A
	COLOR VARIATIONS MAY OCCUR		SCALE: NONE CAD FILE: AXA-RTPRTJ90.SLDDRW SHEET 1 OF 1