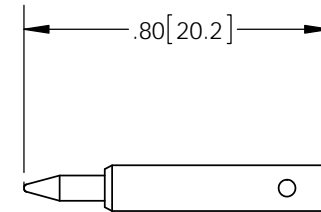
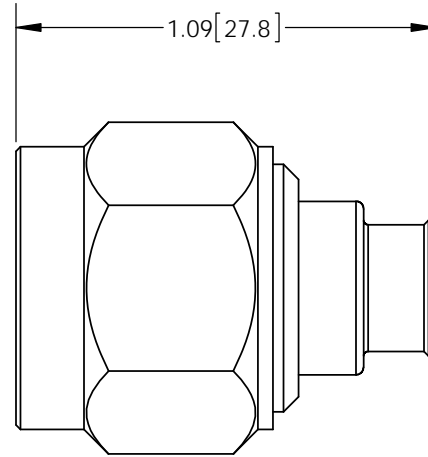
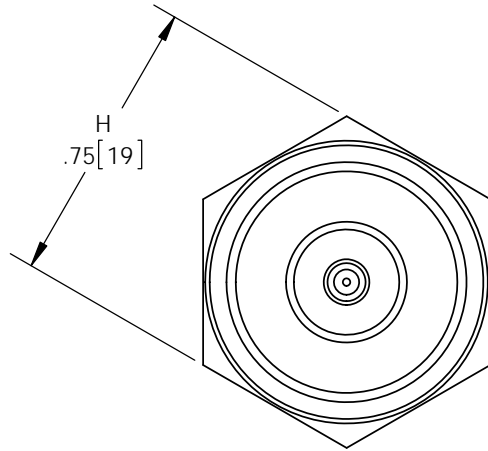


THE INFORMATION CONTAINED IN THIS DRAWING IS THE SOLE PROPERTY OF L-COM, INC. ANY REPRODUCTION IN PART OR WHOLE WITHOUT THE WRITTEN PERMISSION OF L-COM, INC. IS PROHIBITED.

REVISIONS			
REV	DESCRIPTION	DATE	APPROVED
A	INITIAL RELEASE	10/28/15	D.GRIFFIN

DESCRIPTION	MATERIAL	FINISH
BODY	BRASS	CuSnZn3
INSULATOR	PTFE	---
CENTER CONTACT	BRASS	SILVER



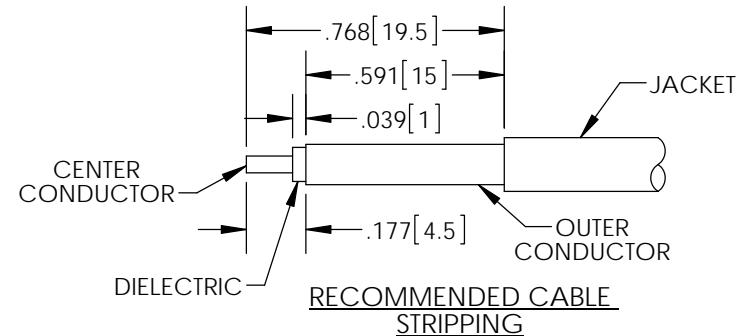
NOTES:

ELECTRICAL:
 IMPEDANCE: 50 OHM
 FREQUENCY RANGE: DC~2.7 GHz
 VSWR: ≤ 1.12
 PASSIVE INTERMODULATION(PIM): ≤ -160dBc@900MHZ
 DIELECTRIC WITHSTANDING VOLTAGE: 1500V
 INSULATION RESISTANCE: ≥ 5000M OHM
 CONTACT RESISTANCE:
 CENTER CONTACT: ≤ 1.0m OHM
 OUTER CONTACT: ≤ 1.0m OHM

MECHANICAL:
 DURABILITY: ≥ 500
 INTERFACE DIMENSIONS CONFORMABLE TO IEC 169-16

PACKAGING:
 COMPONENT SHALL BE INDIVIDUALLY PACKAGED IN ACCORDANCE WITH L-COM SPECIFICATION PKG-00012

REGULATORY COMPLIANCE:
 CE2011/65/EU(RoHS DIRECTIVE)



UNLESS OTHERWISE SPECIFIED, DIMENSIONS ARE IN INCHES [mm]	APPROVALS	DATE		45 BEECHWOOD DRIVE NORTH ANDOVER, MA 01845
	DRAWN BY B.PUCHASKI	09/28/15		CATEGORY
DIMENSIONAL TOLERANCES: .X = ±.1 [2.54] .XX = ±.01 [.25] .XXX = ±.005 [.13]	CHECKED BY K.BURGNER	09/28/15	PRODUCT DESCRIPTION N-MALE CONNECTOR, PIM RATED FOR RG401	
	APPROVED BY P.PESA	09/28/15		
ANGULAR TOLERANCES: ALL = ± 1°	CONFIGURATION DETAILS OF UNDIMENSIONED FEATURES MAY VARY		FSCM NO.	43321
PROJECTION			DWG. NO.	ANM-1P100
	COLOR VARIATIONS MAY OCCUR	SCALE: NONE	CAD FILE: ANM-1P100.SLDDRW	SHEET 1 OF 1