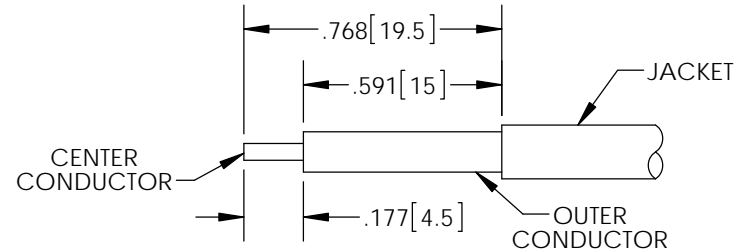
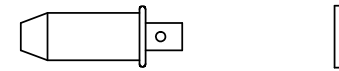
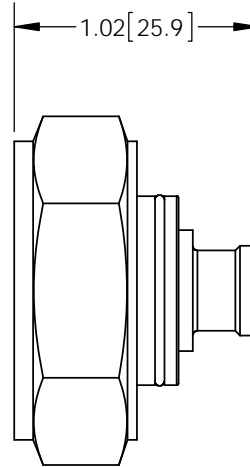
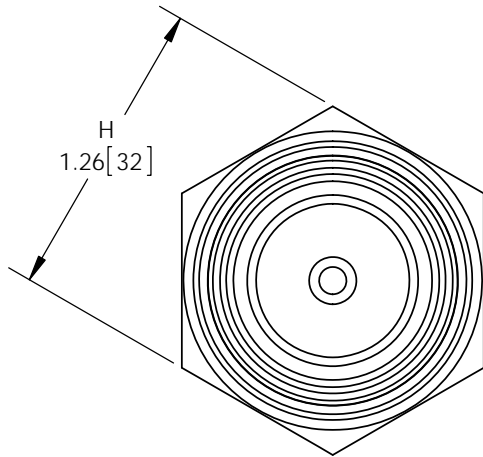


THE INFORMATION CONTAINED IN THIS DRAWING IS THE SOLE PROPERTY OF L-COM, INC. ANY REPRODUCTION IN PART OR WHOLE WITHOUT THE WRITTEN PERMISSION OF L-COM, INC. IS PROHIBITED.

REVISIONS			
REV	DESCRIPTION	DATE	APPROVED
A	INITIAL RELEASE	10/28/15	D.GRIFFIN

DESCRIPTION	MATERIAL	FINISH
NUT	BRASS	NICKEL
GASKETS	SILICONE RUBBER	---
BODY	BRASS	CuSnZn3
INSULATOR	PTFE	SILVER
CENTER CONTACT	BRONZE	SILVER



RECOMMENDED CABLE STRIPPING

NOTES:

ELECTRICAL:

IMPEDANCE: 50OHM
 FREQUENCY RANGE: DC~2.7 GHz
 VSWR: ≤ 1.12
 PASSIVE INTERMODULATION(PIM): $\leq -160\text{dBc}@900\text{MHz}$
 DIELECTRIC WITHSTANDING VOLTAGE: 2500V
 INSERTION LOSS: $\leq .05$ dB
 INSULATION RESISTANCE: $\geq 5000\text{M OHM}$

MECHANICAL:

DURABILITY: ≥ 500
 INTERFACE DIMENSIONS CONFORMABLE TO IEC 60169

PACKAGING:

COMPONENT SHALL BE INDIVIDUALLY PACKAGED IN ACCORDANCE WITH L-COM SPECIFICATION PKG-00012

REGULATORY COMPLIANCE:

CE2011/65/EU(RoHS DIRECTIVE)

UNLESS OTHERWISE SPECIFIED, DIMENSIONS ARE IN INCHES [mm]	APPROVALS	DATE		45 BEECHWOOD DRIVE NORTH ANDOVER, MA 01845
	DRAWN BY B.PUCHASKI	09/28/15		
DIMENSIONAL TOLERANCES: .X = ± 0.1 [2.54] .XX = ± 0.01 [0.25] .XXX = ± 0.005 [0.13]	CHECKED BY K.BURGNER	09/28/15	CATEGORY COAXIAL	
	APPROVED BY P.PESA	09/28/15	PRODUCT DESCRIPTION 7/16 DIN MALE CONNECTOR, PIM RATED FOR RG401	
ANGULAR TOLERANCES: ALL = $\pm 1^\circ$	CONFIGURATION DETAILS OF UNDIMENSIONED FEATURES MAY VARY		SIZE A	FSCM NO. 43321
PROJECTION 	COLOR VARIATIONS MAY OCCUR		DWG. NO. ADM-1P100	REV. A
SCALE: NONE			CAD FILE: ADM-1P100.SLDDRW	
			SHEET 1 OF 1	