

U Series/U317/UTR1 Rackshelves

www.middleatlantic.com
www.datatelracks.com

U Series / U317 / UTR1 - Rackshelves

Features

U Series - Universal rackshelves



- Available in 1 through 4 rackspaces
- Weight capacity from 35 to 85 lbs. depending on size
- Accommodates most standard non-rackmountable components
- See chart for part numbers and dimensions
- Contractor packs available

U317 - Vented 3 space rackshelf

- 17 3/4" depth allows for deeper components
- 60 lb. weight capacity
- Vent pattern provides superior air circulation
- Slotted rear flange for cable management

UTR1 - Half-rack shelf

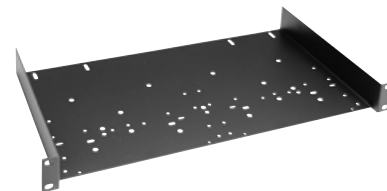
- 25 lb. weight capacity
- Universal mounting hole pattern accommodates virtually any half or third space component
- Equipment mounting hardware included
- Contractor packs available



U2



U317



UTR1

Architects' and Engineers' Specifications

U Series / U317 / UTR1 shall have:

- Durable black powder coat finish
- Solid one piece construction
- Constructed of 16-gauge steel

U Series Universal Rackshelves

- M.A.P. part number shall be UX
(X = rack spaces required)
(See chart prior to determining X)
- Contractor packs available, part number shall be:

Part #	Quantity
U1-RP12	12 U1's
U2-RP6	6 U2's

U317 - Vented 3 space rackshelf

- M.A.P. part number shall be U317
- 3 spaces (5 1/4" tall)
- Vented

UTR1 - Half-rack shelf

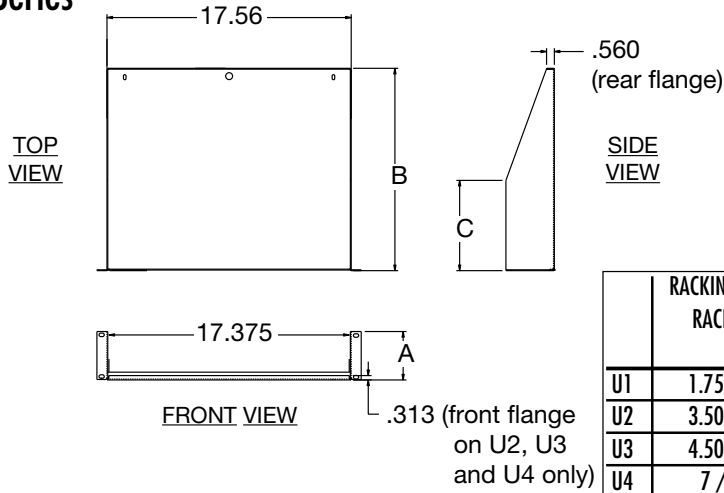
- M.A.P. part number shall be UTR1
- Shelf area shall be 17 3/8" wide by 10" deep
- Supplied hardware includes
 - 4 qty 6-32x1/4 screws
 - 4 qty 8-32x1/4 screws
 - 2 qty 10-32x1/4 screws
- Contractor pack available, part number shall be UTR1-RP12 for pack of 12

Engineered Mounting Solutions for Low Voltage Applications

U Series / U317 / UTR1 basic dimensions

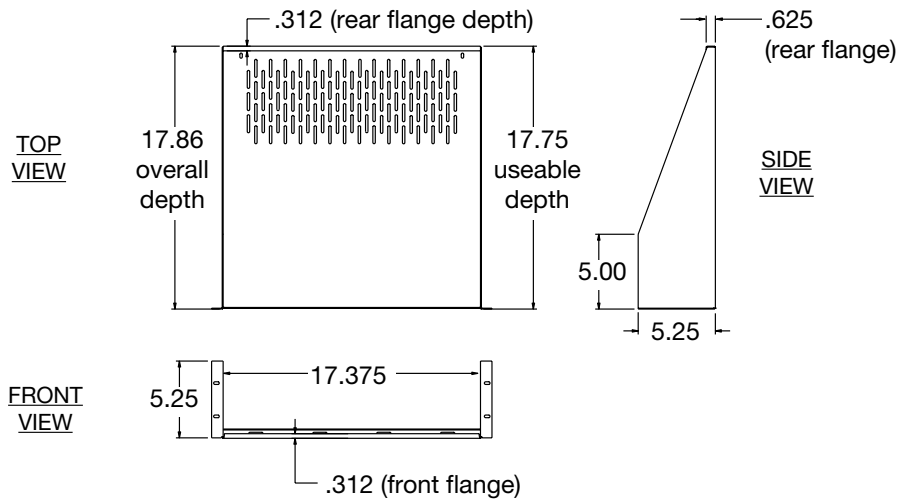
All dimensions in inches unless otherwise noted

U Series



	RACKING HEIGHT/ RACKSPACES "A"	OVERALL DEPTH "B"	"C"	WEIGHT CAPACITY
U1	1.75 / (1 SP)	11	6.05	35 lbs.
U2	3.50 / (2 SP)	14.75	6.49	50 lbs.
U3	4.50 / (3 SP)	14.75	5.716	70 lbs.
U4	7 / (4 SP)	15.50	6.0	85 lbs.

U317



UTR1

