

UL® Listed 120 VAC 14x12x7 Inch Weatherproof Enclosure with Mounting Plate and Terminal Block Installed Model: NB141207-100T-UL

Applications and Features

Features:

- UL® Listed Enclosure E326684
- Features aluminum mounting plate with 120vac Terminal Block with Surge Protection Installed
- Molded fiberglass reinforced polyester enclosure
- Stainless steel quick release latches with padlock hasps
- Fully gasketed raised lid and Integral mounting flange
- RoHS Compliant
- Mounting plate can accommodate WLAN devices from Cisco®, Symbol®, D-Link® and more
- Optional universal equipment shelf and mounting brackets available
- Fully customized configurations available

Applications:

- Installations Requiring UL® Approved Enclosures
- Remote Wireless LAN WiFi equipment installations
- Indoor and outdoor installations
- Hot and Cold temperature environments
- Rapid Deployment Installations and Hotspot applications
- Corrosive environments
- Protection of equipment from theft or damage



Product Description

UL® Listed Enclosures... The NB141207-100T-UL is approved and listed with UL, meeting the stringent requires for Communication Enclosure System 40XX. The UL listing number is E326684. Use this enclosure when UL Listed products are required by the project. Other UL Listed enclosures are available in many popular features.

Start with the Box...

The box is a rugged weatherproof enclosure that is ideal for both indoor and outdoor applications. Constructed from molded fiberglass reinforced polyester, it is well suited for high temperature or corrosive environments. The mounting flange allows it to be wall mounted as well as on a flat surface. The raised lid features a stainless steel continuous hinge and stainless steel quick release latches with padlock hasps. The raised lid is fully gasketed. The enclosure material is UV stabilized and comes in machine tool gray.

Mounting Plate...

The aluminum mounting plate has provisions to mount WLAN equipment from Cisco®, Symbol®, D-Link®, HyperLink and more (see mounting plate drawing). With the optional HGX-AMOUNT02 bracket a wide array of L-Com HyperLink Amplifiers, Power-Over-Ethernet products and Power Supplies can be mounted as well. Two of these brackets can be mounted side by side. Also available is the HGX-NMOUNT03 Universal Mounting Shelf that can be attached to the mounting plate and can accommodate additional equipment to be placed in the enclosure. The plate features a surge protected 120 VAC Terminal Strip/Block to supply power any custom installed internal equipment. Provisions for two duplex circuits are built into the mounting plate.

Terminal Block...

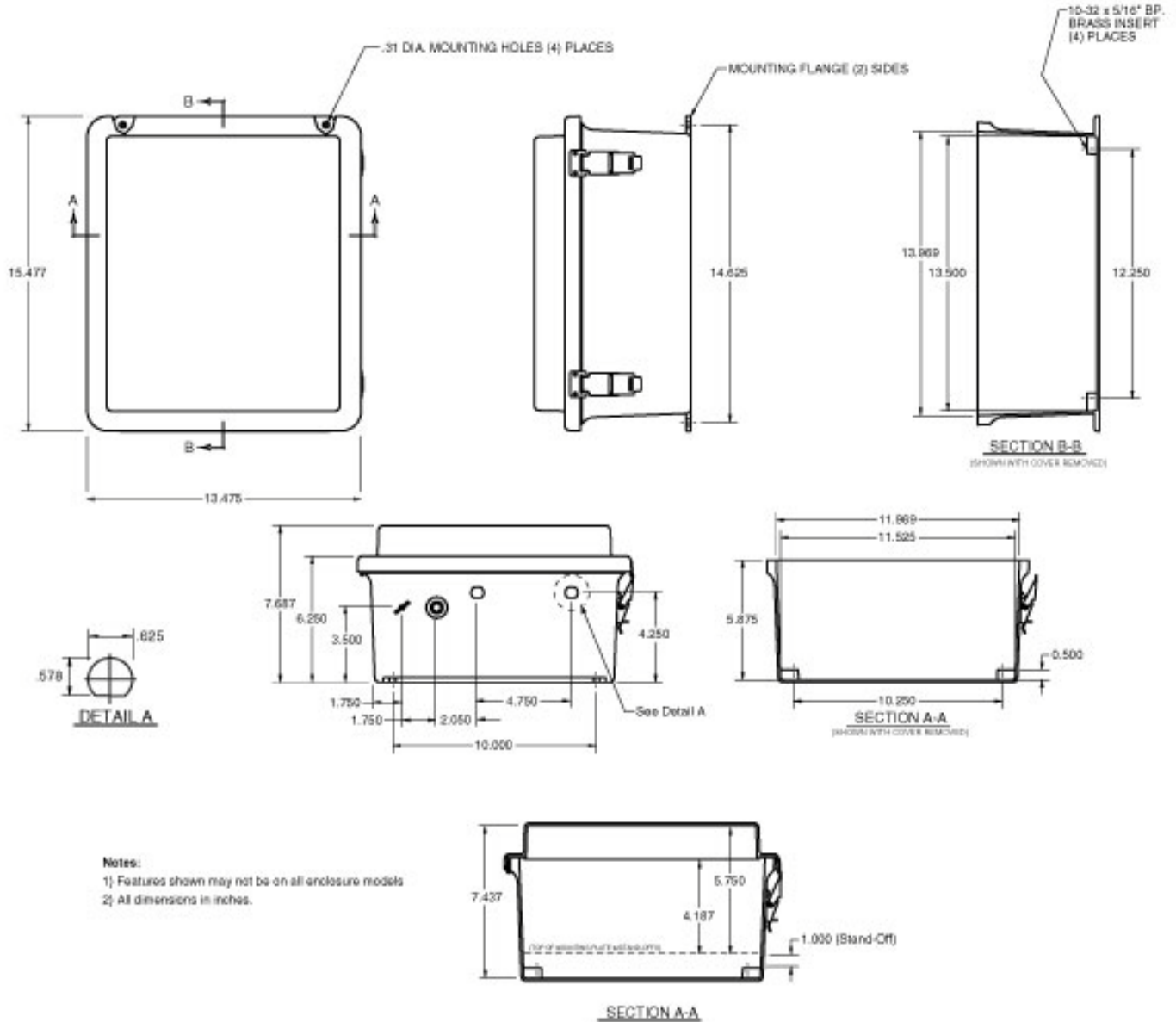
The terminal block is installed for wiring up power on the front of the mounting plate. This allows the customer a chance to wire the system to custom specifications and pull power from this one point inside the enclosure when field wiring is pulled and hooked up to the enclosure system.

Specifications

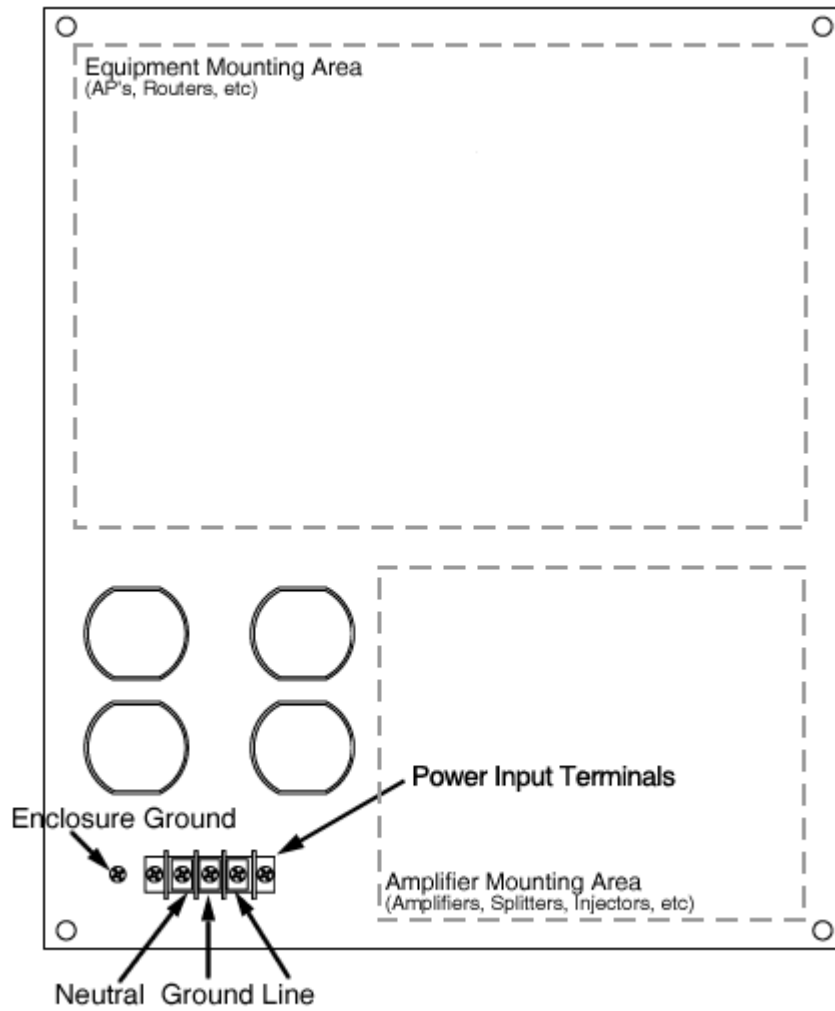
Enclosure Material	Fiberglass Reinforced Polyester
Enclosure Color	Machine Tool Gray
Voltage	120 VAC
Weight	10.6 lbs (4.8 kg)
Mounting Plate Material	.10" (2.5mm) Thick Anodized Aluminum
Mounting Plate Dimensions	12.7 x 10.8 inches (32.2 x 27.4 cm)
Outside Dimensions (max)	15.5 x 13.5 x 7.7 inches (39.3 x 34.2 x 19.5 cm)
Inside Dimensions	13.5 x 11.5 x 5.8 inches (34.3 x 29.2 x 14.7 cm)
Flame Rating	UL 94-5V
RoHS Compliant	Yes
Cable Feed	1/2" Cable Conduit Connector
Ratings*	UL® LISTED (E326684)

*Note: Enclosure ports (Cable conduit connector and N-type holes for lightning protectors or connectors) must be properly sealed to maintain NEMA Type 4, 4X / IP66 rating.

Enclosure Dimensions



Mounting Plate Details



Installed Terminal Block front of Plate



Built-In Surge Protector on Back side of Plate