

Item #	Description	1-4	5-9	10-24	25-99	100-249
--------	-------------	-----	-----	-------	-------	---------

✓RoHS HyperAmp® 2.4G Hz Indoor OEM Amplifiers

L-com's HyperAmp® OEM amplifiers feature low profile SMA Female connectors. This helps reduce the overall height of the amplifier, making it ideal for installations with limited space.

HA2401SFGI-100	100 mW 802.11b/g, SMA Female Connectors, Includes Power Supply	129.99	123.49	116.99	110.49	103.99
HA2401SFGI-250	250 mW 802.11b/g, SMA Female Connectors, Includes Power Supply	139.99	132.99	125.99	118.99	111.99
HA2401SFGI-500	500 mW 802.11b/g, SMA Female Connectors, Includes Power Supply	149.99	142.49	134.99	127.49	119.99
HA2401SFGI-1000	1 W 802.11b, SMA Female Connectors, Includes Power Supply	149.99	142.49	134.99	127.49	119.99

✓RoHS HyperAmp® 2.4 GHz Indoor OEM PoE Amplifiers

In addition to the built-in Power-Over-Ethernet interface, these PoE OEM amplifiers feature low profile SMA Female connectors. This helps reduce the overall height of the amplifier, making it ideal for installations with limited space.

HA2401SFGI-100	100 mW 802.11b/g, SMA Female Connectors	154.99	147.24	139.49	131.74	123.99
HA2401SFGI-250	250 mW 802.11b/g, SMA Female Connectors	164.99	156.74	148.49	140.24	131.99
HA2401SFGI-500	500 mW 802.11b/g, SMA Female Connectors	174.99	166.24	157.49	148.74	139.99
HA2401SFGI-1000	1 W 802.11b, SMA Female Connectors	174.99	166.24	157.49	148.74	139.99

HyperAmp® 5.8 GHz Bi-Directional Amplifiers

As a leader in the field of amplifier design and development, L-com offers several versions of its 5.8 GHz amplifiers for both indoor and outdoor use. Consisting of a low-noise receive amplifier and a transmit power amplifier, HyperAmp® offers significant improvement in operating range and performance. Custom configurations are available, contact L-com today!

- Indoor and outdoor models available
- 5.8 GHz ISM, UNII Applications
- IEEE 802.11a
- Military, HAM and OEM 3 to 5 Watt versions
- Aluminum construction

✓RoHS HyperAmp® 5.8 GHz Outdoor Amplifiers

HA5801-500	500 mW 802.11a, Includes Power Supply/DC Injector	199.99	189.99	179.99	169.99	159.99
HA5803	3 W 802.11a, Includes Power Supply/DC Injector	1199.99	1139.99	1079.99	1019.99	959.99
HA5805	5 W 802.11a, Includes Power Supply/DC Injector	1299.99	1234.99	1169.99	1104.99	1039.99

✓RoHS HyperAmp® 5.8 GHz Indoor Amplifiers

HA5801I-500	500 mW 802.11a, Includes Power Supply	149.99	142.49	134.99	127.49	119.99
HA5803I	3 W 802.11a, Includes Power Supply	1149.99	1092.49	1034.99	977.49	919.99
HA5805I	5 W 802.11a, Includes Power Supply	1249.99	1187.49	1124.99	1062.49	999.99

900 MHz Bi-Directional Amplifiers

HyperAmp® HA900 series WLAN amplifiers are compatible with 900 MHz wireless LAN equipment including the new generation 2.75 Mbit CCK (Complementary Code Keying) spread spectrum radios. L-com's active power control circuit automatically adjusts the amplifier's gain to provide a constant output power regardless of cable length.

The HyperAmp® HA900 series improves range by delivering full transmit power and receive gain directly at the antenna where it is most effective. This gain compensates for cable losses and actually increases the receive sensitivity of most wireless LAN radios. The units can be configured to deliver the full transmit power with as little as 1 mW of input power, permitting cable runs of several hundred feet with no degradation in operating range.

✓RoHS 900 MHz Outdoor Amplifiers

HA900-APC500	500 mW Includes Power Supply/DC Injector	349.95	332.45	314.96	297.46	279.96
HA901-APC	1 W Includes Power Supply/DC Injector	379.99	360.99	341.99	322.99	303.99
HA903-APC	3 W Includes Power Supply/DC Injector	429.99	408.49	386.99	365.49	343.99
HA905-APC	5 W Includes Power Supply/DC Injector	499.99	474.99	449.99	424.99	399.99
HA905-DM	5 W OFDM Compatible, Includes Power Supply/DC Injector	699.99	664.99	629.99	594.99	559.99
HA910-APC	10 W Includes Power Supply/DC Injector	699.99	664.99	629.99	594.99	559.99
HA925SE-XXX	25 W Includes Power Supply/DC Injector	799.99	759.99	719.99	679.99	639.99

✓RoHS 900 MHz Indoor Amplifiers

HA900I-APC500	500 mW Includes Power Supply	299.95	284.95	269.96	254.96	239.96
HA901I-APC	1 W Includes Power Supply	329.99	313.49	296.99	280.49	263.99
HA903I-APC	3 W Includes Power Supply	379.99	360.99	341.99	322.99	303.99
HA905I-APC	5 W Includes Power Supply	449.99	427.49	404.99	382.49	359.99
HA905I-DM	5 W OFDM Compatible, Includes Power Supply	649.99	617.49	584.99	552.49	519.99
HA910I-APC	10 W Includes Power Supply	649.99	617.49	584.99	552.49	519.99
HA925DX-XXX	25 W Includes Power Supply	749.99	712.49	674.99	637.49	599.99



[HA2401SFGI-1000](#)



[HA2401SFGI-1000](#)



[HA5803](#)



[HA5801I-500](#)



[HA901I-APC](#)



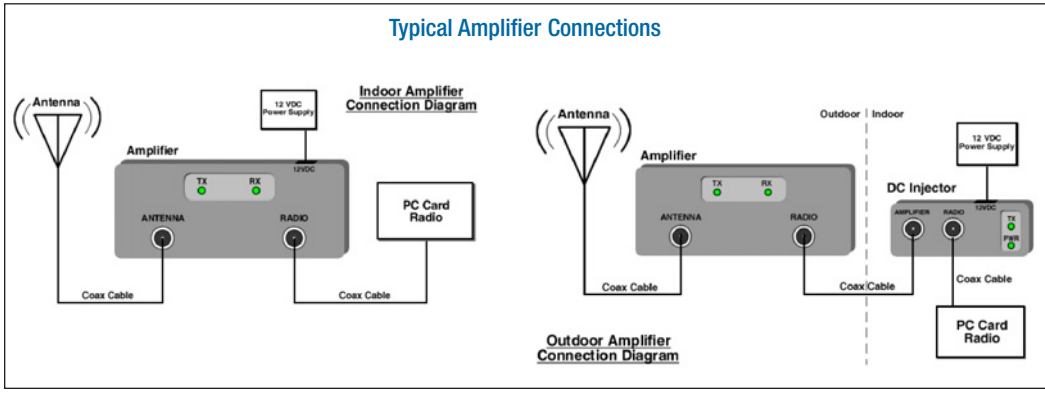
[HA925DX-XXX](#)



[HA901-APC](#)



[HA905I-DM](#)



For more useful information go to... www.L-com.com/Resources