

# Industry Overview

## Enterprise Networks

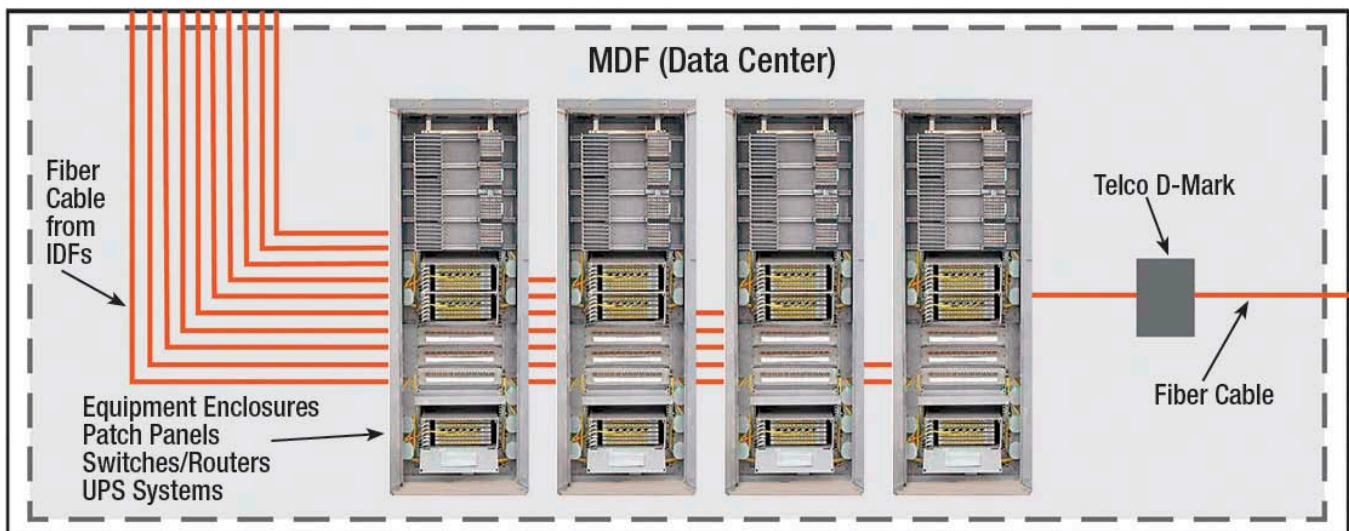


## Data Center

Data centers are perhaps the most critical component of a business. With the computerization of just about every process and system, businesses rely on data center uptime in order to maximize profits and gain market share. Some companies can potentially lose millions of dollars for every hour of network down time. Today's data centers must be designed for redundancy and resiliency while supporting high speed, bandwidth intensive cutting edge technologies.

L-com provides a complete solution for data center networking and communications. We offer both copper and fiber patch cables including options for Plenum and LSZH jackets, shielding, custom lengths, pin outs and connector options. Additionally we supply all the bulk cabling required for category and fiber optic premise networking applications. Furthermore L-com provides network, A/V and data patch panels covering every interface used in today's communication networks as well as cable management and identification products. To round out our data center offering L-com can provide its customers with the full line of enclosures and racks along with rack mounted UPS systems, Ethernet switches and network attached storage solutions.

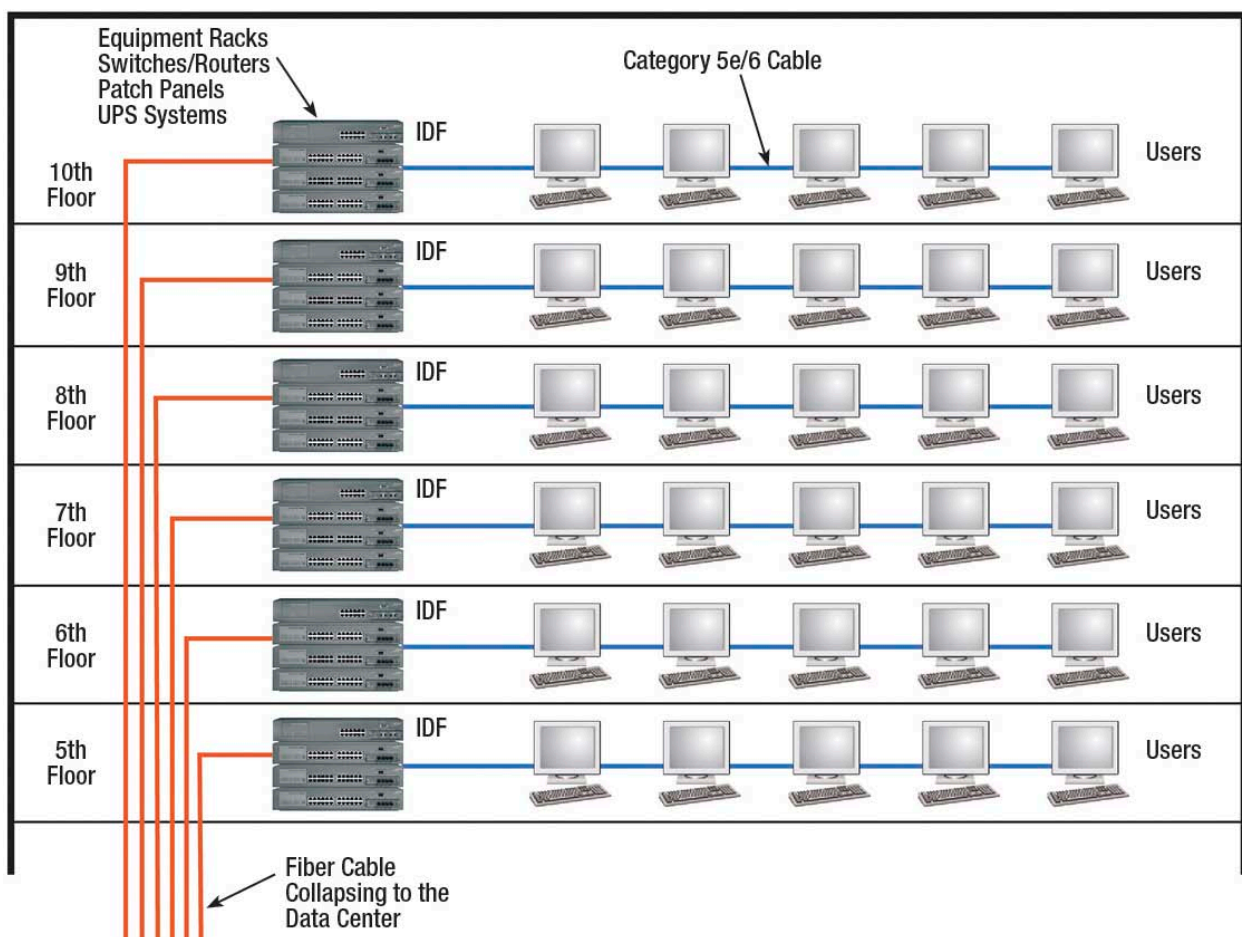
The application diagram below represents a typical data center configuration where L-com's wired infrastructure products provide high availability with support for the latest voice, video and data technologies.



## Intermediate Distribution Frame (IDF)

L-com manufactures all the products required for Intermediate Distribution Frame (IDF) applications including copper and fiber cabling, secure equipment enclosures, patch panels cable management products and more.

The illustration below details a typical IDF design encompassing several floors of an office building. Each IDF connects users on the office floor to the fiber backbone which in turn collapses to the Main Distribution Frame (MDF). The MDF is also referred to as the data center in many installations. The MDF houses routers and other WAN access equipment providing a connection to the Internet. L-com products included in this application include Cat5e/6/6a cabling, Multimode and Single mode fiber optic cable, equipment enclosures, racks, patch panels, rack mount switches and UPS systems, and cable management accessories such as lacer bars, cable ties and labels.



## Desktop

L-com offers a wide array of cables, adapters and conversion devices to address today's desktop computing requirements. From wall plates to Ethernet patch cables, L-com offers just about every interface to address desktop connectivity applications. Our wide range of A/V cables for monitor connectivity include DVI, HDMI, DisplayPort, and VGA cables, adapters and gender changers. Peripheral cabling and adapters range from USB to 3.5mm audio as well as eSATA and USB 3.0 cables and adapters to address high speed external desktop storage applications. Furthermore L-com provides power cords for attaching PC's, monitors and other desktop devices to AC power sources. We also offer a range of desktop UPS systems to provide safe data backup should the main power source fail. To address tight fit desktop computing applications. L-com stocks an extensive selection of right angle cable assemblies including, Cat5e/6, DVI, HDMI, USB and more.



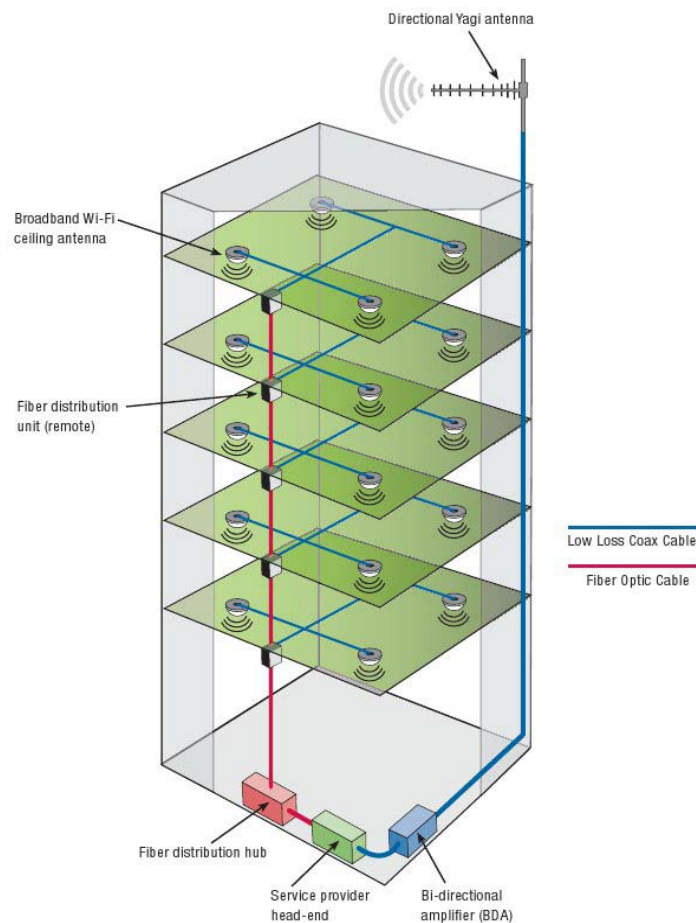


## Wireless Enterprise Networks

L-com offers a wide array of products to address in-building wireless applications including broadband DAS antennas, RF amplifiers, low loss coaxial cabling and adapters, RF filters, splitters and more. Our HyperLink® brand antenna offering includes aesthetically pleasing ceiling mount DAS antennas for cellular and Wi-Fi connectivity as well as low profile patch antennas that are available in a wide variety of gain patterns to address every enterprise wireless application. L-com's wireless products provide connectivity for laptops, tablets, smart phones and other wireless mobile devices found in the enterprise. Additionally L-com's wireless products support inter-building campus wireless networks for both point to point and point to multipoint architectures.

In the illustration below L-com's HyperLink® brand broadband ceiling antennas provide access to Wi-Fi and cellular services throughout the building including conference rooms, work space areas and other locations within the building. These ceiling antennas are connected via L-com's low loss coaxial cables and terminate to L-com's RF splitters, RF amplifiers and wireless access points. Other designs include the use of PoE enabled access points connected via Cat5e cabling located in various coverage areas throughout the building.

### In-Building Distributed Antenna System



L-com, a global leader in the manufacture of wired and wireless connectivity products, offers a wide range of solutions and unmatched customer service for the electronics and data communications industries. The company's product portfolio includes cable assemblies, connectors, adapters, computer networking components, and custom products, as well as their HyperLink® line of wireless products which include Antennas, RF Amplifiers, Coaxial lightning and surge protectors, and NEMA rated enclosures.

L-com's HyperLink® wireless products are designed for WiFi, WiMAX, SCADA, 802.11a/b/g/n, RFID and Bluetooth applications. Trusted for over 30 years, L-com, which is headquartered in North Andover, MA, is ISO 9001: 2008 certified and many of its products are UL® recognized. [www.l-com.com](http://www.l-com.com)

For more information, contact your L-com sales representative at 1-800-343-1455 or e-mail [sales@L-com.com](mailto:sales@L-com.com).

**L-com Corporate Headquarters**

50 High Street  
West Mill, 3<sup>rd</sup> floor, Suite #30  
North Andover, MA 01845

**L-com Engineering, Product Management & Contact Center**

1201 Clint Moore Road  
Boca Raton, FL 33487

**L-com Manufacturing and Fulfillment Center**

1506 Interstate 35 W  
Denton, TX 76207-2402

**L-com Fulfillment Center**

2000 E. Silverlake Road  
Tucson, AZ 85713

**L-com Manufacturing and Fulfillment Center**

7 ChunHui Road, SIP Building 1  
Suzhou, Jiangsu, China P.C.: 215121

**L-com Manufacturing and Fulfillment Center**

Guaymas Manufacturing Facility  
Carretera Int. Km 1969 Guad-Nog Km 2  
Empalme, Sonora, 85340  
Mexico

