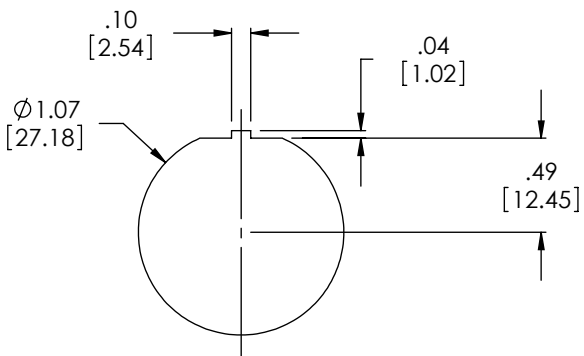
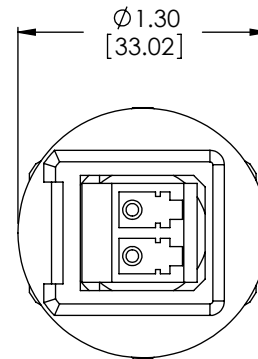
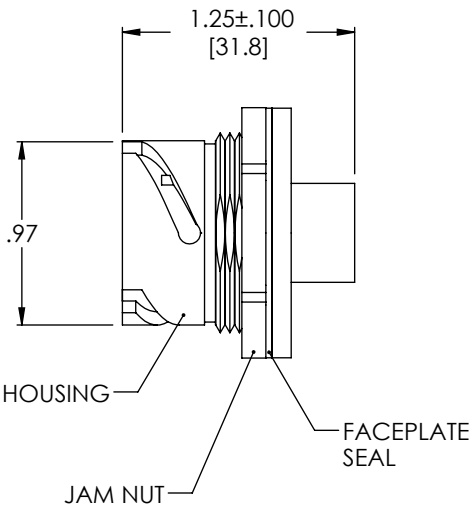
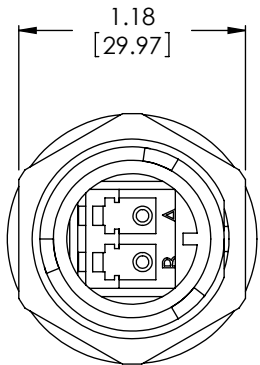


THE INFORMATION CONTAINED IN THIS DRAWING IS THE SOLE PROPERTY OF L-COM, INC. ANY REPRODUCTION IN PART OR WHOLE WITHOUT THE WRITTEN PERMISSION OF L-COM, INC. IS PROHIBITED.

REVISIONS			
REV	DESCRIPTION	DATE	APPROVED
A	INITIAL RELEASE	1/26/12	D.GRIFFIN
B	ECN 7817: ADDED GRIP RIBS, REMOVED GASKET	2/20/15	D. CASTRO



RECOMMENDED PANEL OPENING

PANEL THICKNESS: .035" - .120"

NOTES:

1. MATERIAL:
 JACK HOUSING; GLASS FILLED PBT
 ALIGNMENT SLEEVE; CERAMIC

2. PANEL NUT MUST BE TIGHTENED 15-20 IN. LBS

INDIVIDUALLY PACKAGE IN ACCORDANCE WITH L-COM SPECIFICATION PS-0031



REGULATORY COMPLIANCE:
 CE2011/65/EU (RoHS DIRECTIVE)

UNLESS OTHERWISE SPECIFIED, DIMENSIONS ARE IN INCHES [mm] OVERALL CABLE LENGTH TOLERANCE: ≤12 [305] = +1 [25] / -0 >12 [305] ≤60 [1524] = +2 [51] / -0 >60 [1524] ≤120 [3048] = +4 [102] / -0 >120 [3048] ≤300 [7620] = +6 [152] / -0 >300 [7620] = +3% / -0% ALL OTHER DIMENSIONAL TOLERANCES: .X = ±.2 .XX = ±.02 .XXX = ±.005	APPROVALS DRAWN BY D.PARHAM CHECKED BY J.RUST APPROVED BY D.GALLAGHER	DATE 01/17/2012 01/24/2012 01/25/2012	45 BEECHWOOD DRIVE NORTH ANDOVER, MA 01845		
	CONFIGURATION DETAILS OF UNDIMENSIONED FEATURES MAY VARY			CATEGORY FIBER OPTICS	
PROJECTION 	COLOR VARIATIONS MAY OCCUR	SIZE A	FSCM NO. 43321	DWG. NO. XLC-SM	REV. B
SCALE: NONE		CAD FILE: XLC-SM.SLDDRW		SHEET 1 OF 1	