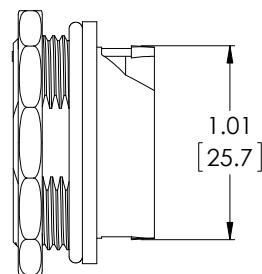
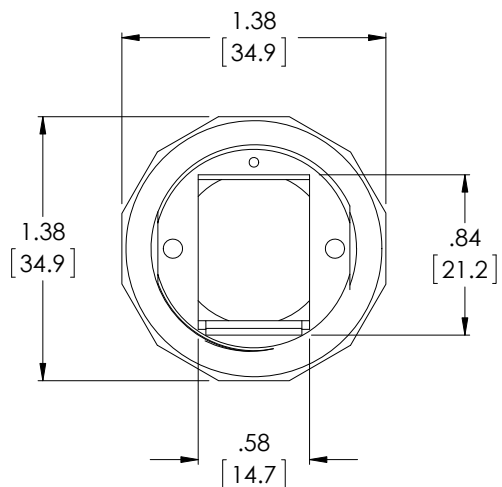
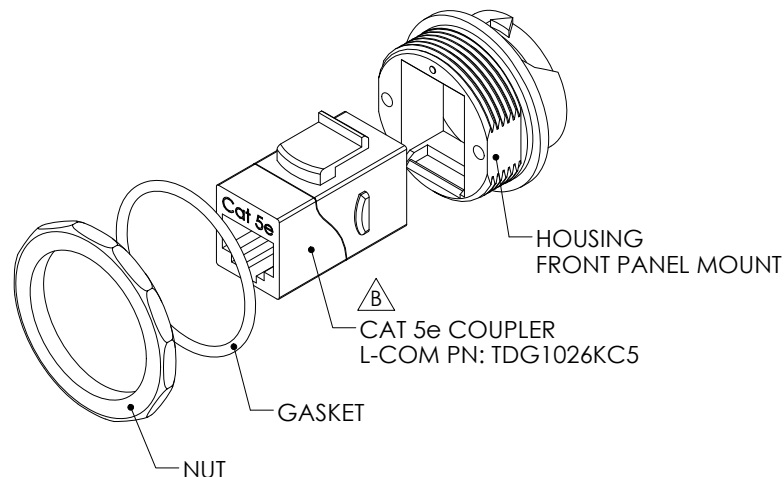
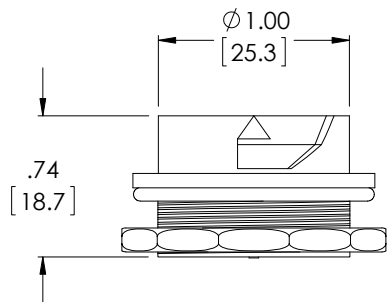
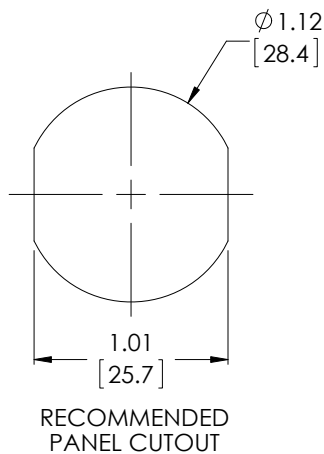


THE INFORMATION CONTAINED IN THIS DRAWING IS THE SOLE PROPERTY OF L-COM, INC. ANY REPRODUCTION IN PART OR WHOLE WITHOUT THE WRITTEN PERMISSION OF L-COM, INC. IS PROHIBITED.

REVISIONS			
REV	DESCRIPTION	DATE	APPROVED
A	INITIAL RELEASE	4/13/07	C. BERUBE
B	ECN 7129: UPDATED FORMAT, PACKAGING, ROHS, AND PICTORALLY	10/31/13	D. DESJARDIN



NOTES:

MATERIAL:
 HOUSING: THERMOPLASTIC
 NUT: STEEL
 GASKET: RUBBER

MISCELLANEOUS:
 B ASSEMBLY SHALL BE INDIVIDUALLY PACKAGED UNASSEMBLED IN ACCORDANCE WITH L-COM SPECIFICATION PS-0031.

ALL DIMENSIONS ARE FOR REFERENCE ONLY.

REGULATORY COMPLIANCE:
 B CE2011/65/EU (RoHS DIRECTIVE)

UNLESS OTHERWISE SPECIFIED, DIMENSIONS ARE IN INCHES [mm] OVERALL CABLE LENGTH TOLERANCE: ≤12 [305] = +1 [25] / -0 >12 [305] ≤60 [1524] = +2 [51] / -0 >60 [1524] ≤120 [3048] = +4 [102] / -0 >120 [3048] ≤300 [7620] = +6 [152] / -0 >300 [7620] = +5% / -0% ALL OTHER DIMENSIONAL TOLERANCES: .X = ±.2 [5.08] .XX = ±.02 [5.1] .XXX = ±.005 [1.13]	APPROVALS DRAWN BY C. BERUBE CHECKED BY J. ROBERTS APPROVED BY J. ROBERTS	DATE 2/21/07 4/13/07 4/13/07	45 BEECHWOOD DRIVE NORTH ANDOVER, MA 01845	
	CONFIGURATION DETAILS OF UNDIMENSIONED FEATURES MAY VARY			CATEGORY TELECOM/MODULAR
	PROJECTION 	COLOR VARIATIONS MAY OCCUR	SIZE A 43321	DWG. NO. WT67KC5FM
	SCALE: NONE		CAD FILE: WT67KC5FM.SLDDRW	REV. B SHEET 1 OF 1