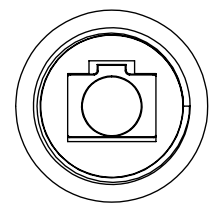
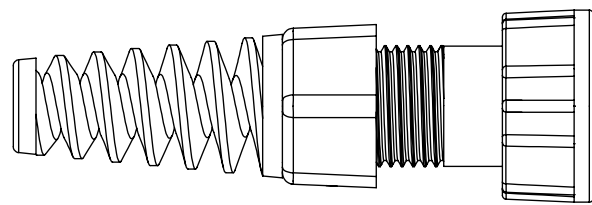
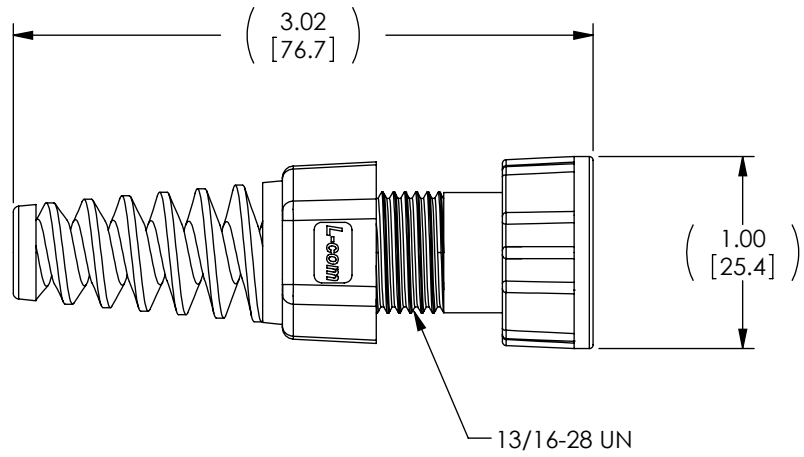



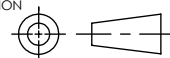
THE INFORMATION CONTAINED IN THIS DRAWING IS THE SOLE PROPERTY OF L-COM, INC. ANY REPRODUCTION IN PART OR WHOLE WITHOUT THE WRITTEN PERMISSION OF L-COM, INC. IS PROHIBITED.

REVISIONS			
REV	DESCRIPTION	DATE	APPROVED
A	INITIAL RELEASE-COURTESY COPY TO CUSTOMER	3/30/10	D.GRIFFIN



NOTES:

- MATERIAL:**
SCREW NUT: NYLON, GLASS FILLED, BLACK
GASKET: EPDM, BLACK
HOUSING: NYLON, BLACK.
SEALING NUT: NYLON, BLACK.
- MISCELLANEOUS:**
INGRESS PROTECTION RATING: IP67.
COMPONENT SHALL BE INDIVIDUALLY PACKAGED IN ACCORDANCE WITH L-COM SPEC. PS-0031

UNLESS OTHERWISE SPECIFIED, DIMENSIONS ARE IN INCHES [mm] OVERALL CABLE LENGTH TOLERANCE: ≤12 [305] = +1 [25] / -0 >12 [305] ≤60 [1524] = +2 [51] / -0 >60 [1524] ≤120 [3048] = +4 [102] / -0 >120 [3048] ≤300 [7620] = +6 [152] / -0 >300 [7620] = +3% / -0% ALL OTHER DIMENSIONAL TOLERANCES: .X = ±.2 .XX = ±.02 .XXX = ±.005	APPROVALS DRAWN BY D. CASTRO CHECKED BY D. PARHAM APPROVED BY P. MCNEIL	DATE 3/26/10 3/29/10 3/29/10	 45 BEECHWOOD DRIVE NORTH ANDOVER, MA 01845
	CONFIGURATION DETAILS OF UNDIMENSIONED FEATURES MAY VARY	CATEGORY MODULAR	PRODUCT DESCRIPTION RJ45 IP67 LONG STRAIN RELIEF
PROJECTION 	COLOR VARIATIONS MAY OCCUR	SIZE A	FSCM NO. 43321 DWG. NO. WPRJ-LSR SCALE: NONE CAD FILE: WPRJ-LSR.SLDDRW
			REV. A SHEET 1 OF 1