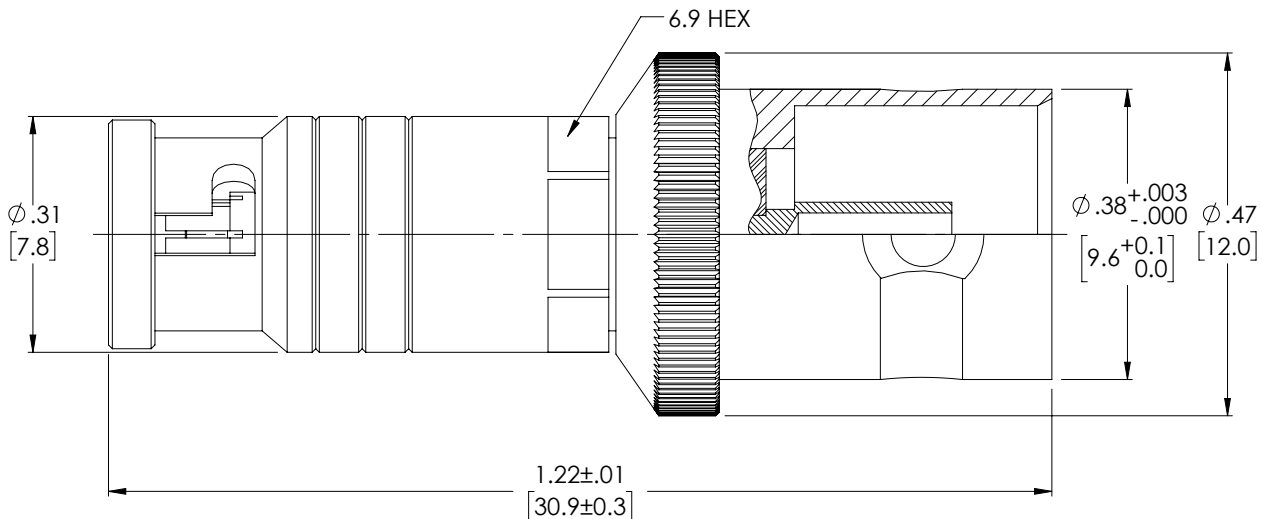


THE INFORMATION CONTAINED IN THIS DRAWING IS THE SOLE PROPERTY OF L-COM, INC. ANY REPRODUCTION IN PART OR WHOLE WITHOUT THE WRITTEN PERMISSION OF L-COM, INC. IS PROHIBITED.

REVISIONS			
REV	DESCRIPTION	DATE	APPROVED
A	REV A DRAWING RELEASED	10/26/2018	JYOU



Notes:

Electrical:
 Impedance: 75Ω
 Frequency Range: 0~12 GHz.
 Voltage Rating: 500 V rms.
 Insulator Resistance: ≥5 GΩ
 Dielectric Withstanding Voltage: 1000 V rms.
 Contact Resistance: Center Contact ≤3 mΩ
 Outer Contact ≤2.5 mΩ
 Reflection Factor(VSMR) 1.25 MAX. DC-6.0 GHz
 1.30 MAX. 6.0-12 GHz

Environment:

Temperature Range: -65a to 165a
 Corrosion (Salt Spray): **MIL-STD-202**, Method 101, Cond. C
 Thermal Shock: **MIL-STD-202**, Method 107, Cond. B
 Mechanical: **MIL-STD-202**, Method 213, Cond. I
 Vibration: **MIL-STD-202**, Method 204, Cond. D

PACKAGING:

CONNECTOR SHALL BE INDIVIDUALLY PACKAGED IN ACCORDANCE WITH L-COM SPECIFICATION PS-0031.

REGULATORY COMPLIANCE:

CE2011/65/EU(RoHS DIRECTIVE)

5	BNC Inner Contact	P.Bronze	NICKEL/GOLD PLATE
4	Ultra Tiny BNC Inner Contact	BeCu	NICKEL/GOLD PLATE
3	Insulator	PTFE	None
2	Body	Brass	NICKEL PLATE
1	Shell	Brass	NICKEL PLATE
ITEM	Description	Material	Finish

UNLESS OTHERWISE SPECIFIED, DIMENSIONS ARE IN INCHES [mm] OVERALL CABLE LENGTH TOLERANCE: ≤12 [305] = +1 [25] / -0 >12 [305] ≤60 [1524] = +2 [51] / -0 >60 [1524] ≤120 [3048] = +4 [102] / -0 >120 [3048] ≤300 [7620] = +6 [152] / -0 >300 [7620] = +5% / -0% ALL OTHER DIMENSIONAL TOLERANCES: .X = ± .2 [5.08] .XX = ± .02 [5.1] .XXX = ± .005 [1.3]	APPROVALS	DATE		50 HIGH STREET NORTH ANDOVER, MA 01845	
	DRAWN BY	09/12/2018			CATEGORY Coaxial
	CHECKED BY	09/12/2018			
	APPROVED BY	09/12/2018			
PROJECTION	CONFIGURATION DETAILS OF UNDIMENSIONED FEATURES MAY VARY	PRODUCT DESCRIPTION BNC Jack to Ultra Tiny BNC Plug Adapter			
	COLOR VARIATIONS MAY OCCUR	SIZE A	FSCM NO. 43321	DWG. NO. V7C00020	REV. A
SCALE: NONE		CAD FILE: V7C00020.SLDDRW		SHEET 1 OF 1	