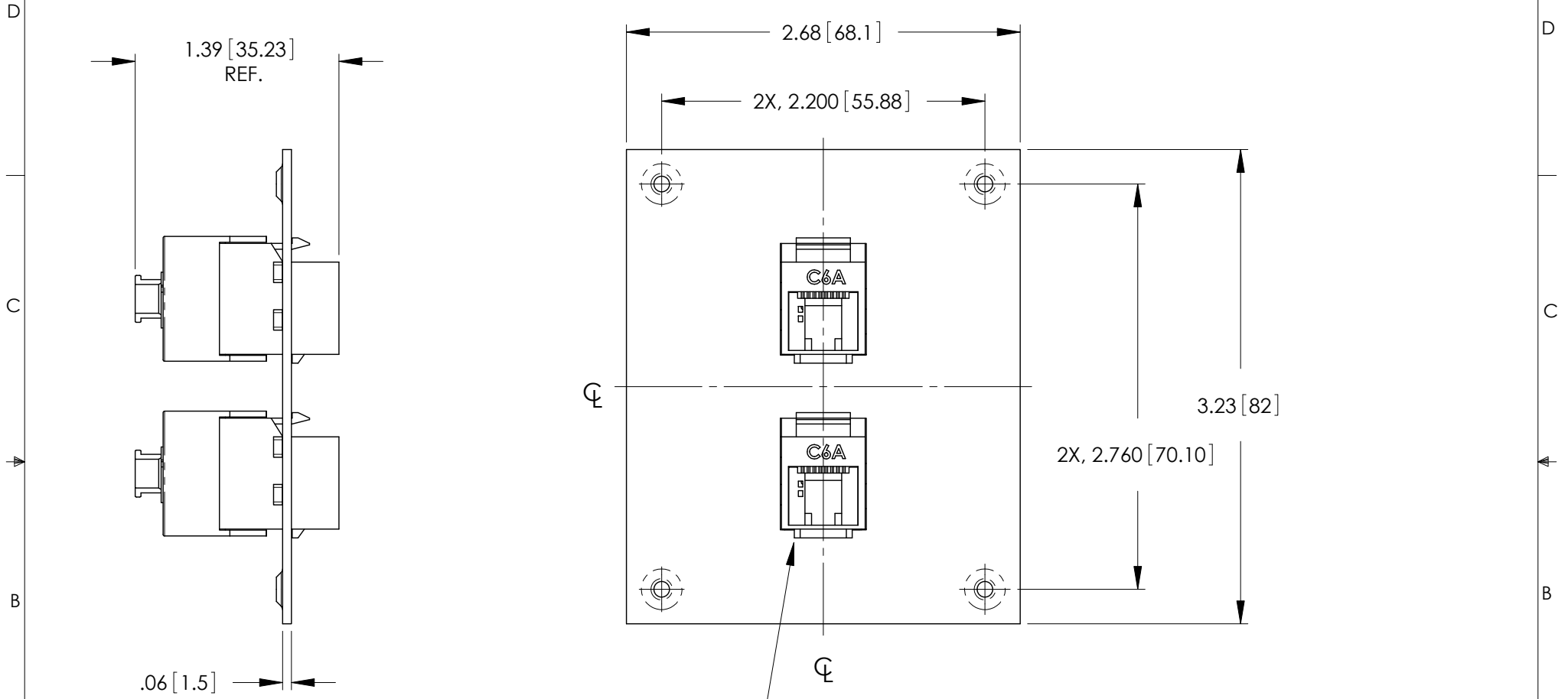


THE INFORMATION CONTAINED IN THIS DRAWING IS THE SOLE PROPERTY OF L-COM, INC. ANY REPRODUCTION IN PART OR WHOLE WITHOUT THE WRITTEN PERMISSION OF L-COM, INC. IS PROHIBITED.

REVISIONS			
REV	DESCRIPTION	DATE	APPROVED
A	REV A DRAWING RELEASED	06/18/2018	BPUCHASKI



2X, CAT 6A SHIELDED KEYSTONE RJ45/TL JACK  
(L-COM P/N: RJTLC6AS-POE)

**NOTES:**

1. PANEL MATERIAL: .06[1.5] THK COLD ROLLED STEEL.
2. PANEL FINISH: FLAT BLACK POWDER COAT.
3. KIT CONTAINS 4, #6-32 UNC SCREWS.
4. PACKAGE IN ACCORDANCE WITH L-COM SPEC. PS-0031

**REGULATORY COMPLIANCE:**  
CE 2011/65/EU(RoHS DIRECTIVE)

UNLESS OTHERWISE SPECIFIED, DIMENSIONS ARE IN INCHES [mm] OVERALL CABLE LENGTH TOLERANCE: ≤12 [305] = +1 [25] / -0 >12 [305] ≤60 [1524] = +2 [51] / -0 >60 [1524] ≤120 [3048] = +4 [102] / -0 >120 [3048] ≤300 [7620] = +6 [152] / -0 >300 [7620] = +5% / -0% ALL OTHER DIMENSIONAL TOLERANCES: .X = ± .2 [5.08] .XX = ± .02 [51] .XXX = ±.005 [13]	APPROVALS DRAWN BY BPUCHASKI CHECKED BY DFRISIELLO APPROVED BY MMARTINEZ	DATE 06/18/2018 06/18/2018 06/18/2018	<b>L-com</b> Global Connectivity 50 HIGH STREET NORTH ANDOVER, MA 01845	
	CONFIGURATION DETAILS OF UNDIMENSIONED FEATURES MAY VARY		CATEGORY USP SUB PANEL	
	COLOR VARIATIONS MAY OCCUR		PRODUCT DESCRIPTION SUB PNL/2 C6A RJ45/110 SHD PoE	SIZE <b>A</b>
	PROJECTION 	SCALE: NONE	FSCM NO. <b>43321</b>	DWG. NO. USP2MK-SC6A-POE
		CAD FILE: USP2MK-SC6A-POE.SLDDRW	REV. <b>A</b>	
		SHEET 1 OF 1		